



**8-Console 32-Port  
Matrix KVM Switch  
KM0832  
User Manual**



## FCC Information

This is an FCC Class A product. In a domestic environment this product may cause radio interference in which case the user may be required to take adequate measures.

This equipment has been tested and found to comply with the limits for a Class A digital device, pursuant to Part 15 of the FCC Rules. These limits are designed to provide reasonable protection against harmful interference when the equipment is operated in a commercial environment. This equipment generates, uses and can radiate radio frequency energy and, if not installed and used in accordance with the instruction manual, may cause harmful interference to radio communications. Operation of this equipment in a residential area is likely to cause harmful interference in which case the user will be required to correct the interference at his own expense.

## RoHS

This product is RoHS compliant.

## SJ/T 11364-2006

The following contains information that relates to China.

部件名称	有毒有害物质或元素					
	铅	汞	镉	六价铬	多溴联苯	多溴二苯醚
电器部件	●	○	○	○	○	○
机构部件	○	○	○	○	○	○

- : 表示该有毒有害物质在该部件所有均质材料中的含量均在SJ/T 11363-2006规定的限量要求之下。
- : 表示符合欧盟的豁免条款, 但该有毒有害物质至少在该部件的某一均质材料中的含量超出SJ/T 11363-2006的限量要求。
- ×: 表示该有毒有害物质至少在该部件的某一均质材料中的含量超出SJ/T 11363-2006的限量要求。



## **User Information**

---

### **Online Registration**

Be sure to register your product at our online support center:

- ◆ International – <http://support.aten.com>
- ◆ North America – [http://www.aten-usa.com/product\\_registration](http://www.aten-usa.com/product_registration)

### **Telephone Support**

- ◆ International – 886-2-8692-6959
- ◆ North America – 1-888-999-ATEN

### **User Notice**

All information, documentation, and specifications contained in this manual are subject to change without prior notification by the manufacturer. The manufacturer makes no representations or warranties, either expressed or implied, with respect to the contents hereof and specifically disclaims any warranties as to merchantability or fitness for any particular purpose. Any of the manufacturer's software described in this manual is sold or licensed 'as is'. Should the programs prove defective following their purchase, the buyer (and not the manufacturer, its distributor, or its dealer), assumes the entire cost of all necessary servicing, repair and any incidental or consequential damages resulting from any defect in the software.

The manufacturer of this system is not responsible for any radio and/or TV interference caused by unauthorized modifications to this device. It is the responsibility of the user to correct such interference.

The manufacturer is not responsible for any damage incurred in the operation of this system if the correct operational voltage setting was not selected prior to operation. PLEASE VERIFY THAT THE VOLTAGE SETTING IS CORRECT BEFORE USE.

## Package Contents

---

The KM0832 package consists of:

- 1 KM0832 Matrix KVM Switch
- 1 Power Cord
- 1 Rack Mount Kit (brackets and Phillips head hex screws M3 x 8)
- 1 Foot Pad Set (4 pcs.)
- 1 User Manual\*
- 1 Quick Start Guide

Check to make sure that all of the components are present and in good order. If anything is missing, or was damaged in shipping, contact your dealer.

Read this manual thoroughly and follow the installation and operation procedures carefully to prevent any damage to the KVM switch or to any other devices on the KM0832 installation.

---

\* Changes may have been made to the manual since it was printed. Please visit our Website to check for the most up-to-date version.

---

Copyright © 2006–2007 ATEN<sup>®</sup> International Co., Ltd.  
Manual Part No. PAPE-0257-1AXG  
Printing Date: 07/2007

Altusen and the Altusen logo are registered trademarks of ATEN International Co., Ltd. All rights reserved.  
All other brand names and trademarks are the registered property of their respective owners.

# Contents

---

FCC Information . . . . .	ii
RoHS . . . . .	ii
SJ/T 11364-2006 . . . . .	ii
User Information . . . . .	iii
Online Registration . . . . .	iii
Telephone Support . . . . .	iii
User Notice . . . . .	iii
Package Contents . . . . .	iv
About This Manual . . . . .	ix
Overview . . . . .	ix
Conventions . . . . .	x
Product Information . . . . .	x

## Chapter 1.

### Introduction

Overview . . . . .	1
Features . . . . .	2
Requirements . . . . .	4
Consoles . . . . .	4
Computers . . . . .	5
Cables . . . . .	5
Operating Systems . . . . .	6
KM0832 Front View . . . . .	7
KM0832 Rear View . . . . .	9

## Chapter 2.

### Installation

Overview . . . . .	11
Before you Begin . . . . .	12
Stacking and Rack Mounting . . . . .	13
Stacking . . . . .	13
Rack Mounting—Split . . . . .	14
Rack Mounting—Front . . . . .	16
Rack Mounting—Rear . . . . .	18
Single Level Installation . . . . .	20
Multilevel Installations . . . . .	22
Overview . . . . .	22
Cascading . . . . .	24
Cascading KM0832 Matrix KVM Switches . . . . .	24
Cascading Matrix Plus KVM Adapter Cables . . . . .	27
Cascading Other KVM Switches . . . . .	29
Daisy Chaining . . . . .	30
Network Installation . . . . .	33
Topology Considerations . . . . .	33

**Chapter 3.****Basic Operation**

Hot Plugging . . . . .	35
Switching Daisy-Chained KVM Switch Positions . . . . .	35
Switching Cascaded KVM Switch Positions . . . . .	35
Hot Plugging User Ports . . . . .	35
Powering Off and Restarting . . . . .	36
Port Selection . . . . .	36

**Chapter 4.****Administrator Utility**

Overview . . . . .	37
Setting the IP Address . . . . .	38
Logging In . . . . .	40
Menus . . . . .	42
Icons . . . . .	43
Tree View Icons . . . . .	44
Port Status . . . . .	45
Naming Stations . . . . .	46
Setting the Webpage Session Timeout . . . . .	47
Network Configuration . . . . .	48
IP Installer Setting . . . . .	49
IP Address . . . . .	49
Port Settings . . . . .	49
System Event Reports . . . . .	50
Setting the Date and Time . . . . .	51
Group Management . . . . .	53
Adding Groups . . . . .	53
Modifying Groups . . . . .	54
Deleting Groups . . . . .	55
Managing Port Access Rights for Groups . . . . .	56
User Management . . . . .	58
Adding Users . . . . .	59
Modifying Users . . . . .	62
Deleting Users . . . . .	63
Managing Port Access Rights for Users . . . . .	64
Port Management . . . . .	67
Accessing Ports . . . . .	67
Managing Port Access . . . . .	68
Cascaded Installations . . . . .	72
Configuring Port Settings . . . . .	73
Restoring KVM Port Defaults . . . . .	75
Setting the OSD View . . . . .	76
View Mode . . . . .	77
Set Port ID . . . . .	77
Display Duration . . . . .	78

Set Scan . . . . .	78
Configuring OSD User Settings . . . . .	79
Searching for Ports and Stations . . . . .	81
Upgrading Firmware . . . . .	82
Downloading the Firmware Upgrade Package . . . . .	82
Preparing to Upgrade the Firmware . . . . .	82
Upgrading Firmware via the KM0832 Administrator Utility . . . . .	83
Upgrading Firmware via the Firmware Upgrade Utility . . . . .	85
Upgrade Failed . . . . .	89
Recovering from a Failed Firmware Upgrade . . . . .	89
Replacing the Root KM0832 with a Child KM0832 . . . . .	90
Backing Up and Restoring Settings . . . . .	91
Viewing and Ending User Sessions . . . . .	94
Viewing and Clearing the Log File . . . . .	96
Viewing System Information . . . . .	98
Viewing Help . . . . .	99
Logging Out . . . . .	99

## **Chapter 5.**

### **OSD Operation**

OSD Overview . . . . .	101
OSD Main Screen Headings . . . . .	103
OSD Navigation . . . . .	103
Accessing Computers . . . . .	103
Port ID Numbering . . . . .	104
Cascaded Installations . . . . .	104
Matrix Plus KVM Adapter Cable Installations . . . . .	104
Daisy-Chained Installations . . . . .	104
OSD Functions . . . . .	106
F1: HELP . . . . .	107
F2: VIEW . . . . .	107
F3: SET . . . . .	109
F4: ADM . . . . .	111
ACCOUNT MANAGEMENT . . . . .	111
PORT MANAGEMENT . . . . .	114
STATION MANAGEMENT . . . . .	117
SYSTEM INFORMATION . . . . .	117
SADM CONFIGURATION . . . . .	118
F5: SCH. . . . .	120
F7: SCAN . . . . .	121
F8: LOUT. . . . .	122

## **Chapter 6.**

### **Hotkey Operation**

Hotkey Port Control . . . . .	123
Invoking Hotkey Mode . . . . .	123

Port Switching . . . . .	124
Switching to KVM Ports . . . . .	124
Auto Scanning . . . . .	125
Setting the Scan Interval . . . . .	125
Invoking Auto Scan . . . . .	126
Hotkey Beeper Control . . . . .	127
Hotkey Summary Table . . . . .	128

## **Chapter 7.**

### **Keyboard Emulation**

Apple Keyboard . . . . .	129
Sun Keyboard . . . . .	130

### **Appendix**

Safety Instructions . . . . .	131
General . . . . .	131
Rack Mounting . . . . .	133
Technical Support . . . . .	134
International . . . . .	134
North America . . . . .	134
Specifications . . . . .	135
Factory Default Settings . . . . .	136
Additional Installation Diagrams . . . . .	137
Trusted Certificates . . . . .	142
Overview . . . . .	142
Installing the Certificate . . . . .	143
Certificate Trusted . . . . .	144
Entering the ok Prompt (Sun Solaris) . . . . .	145
Troubleshooting . . . . .	146
General . . . . .	146
Sun Systems . . . . .	148
Restoring Original Factory Default Settings . . . . .	149
Limited Warranty . . . . .	151



## About This Manual

---

This user manual is provided to help you get the most from your KM0832 system. It covers all aspects of installation, configuration, and operation. An overview of the information found in the manual is provided below.

### Overview

**Chapter 1, Introduction**, introduces you to the KM0832 System. Its purpose, features, and benefits are presented, and its front and back panel components are described.

**Chapter 2, Installation**, provides step-by-step instructions for setting up your installation, and explains some basic operating procedures.

**Chapter 3, Basic Operation**, explains the fundamental concepts involved in operating the KM0832.

**Chapter 4, Administrator Utility**, describes how to login to the KM0832 with your browser and explains the administrative procedures that are employed to configure the KM0832's working environment using the KM0832 Administrator Utility.

**Chapter 5, OSD Operation**, provides detailed information for configuring and controlling your installation using the KM0832's intuitive, mouse-driven On Screen Display (OSD) menus.


**Chapter 6, Hotkey Operation**, explains the concepts and procedures used to control the KM0832 from the keyboard.

**Chapter 7, Keyboard Emulation**, lists the keys for a PC-compatible keyboard to emulate the functions of the Mac and Sun keyboards.

**An Appendix** at the end of the manual provides technical and troubleshooting information.

## **Conventions**

This manual uses the following conventions:

Monospaced	Indicates text that you should key in.
[ ]	Indicates keys you should press. For example, [Enter] means to press the <b>Enter</b> key. If keys need to be chorded, they appear together in the same bracket with a plus sign between them: [Ctrl+Alt].
1.	Numbered lists represent procedures with sequential steps.
◆	Bullet lists provide information, but do not involve sequential steps.
→	Indicates selecting the option (on a menu or dialog box, for example), that comes next. For example, Start → Run means to open the <i>Start</i> menu, and then select <i>Run</i> .
	Indicates critical information.

## **Product Information**

---

For information about all ALTUSEN products and how they can help you connect without limits, visit ATEN on the Web or contact an ALTUSEN Authorized Reseller. Visit ATEN on the Web for a list of locations and telephone numbers:

- ◆ International – <http://www.aten.com>
- ◆ North America – <http://www.aten-usa.com>

# Chapter 1

## Introduction

### Overview

---

The KM0832 Matrix KVM Switch gives IT administrators advanced control of multiple computers. Operators working at up to 8 keyboard, monitor, mouse (KVM) consoles can independently and simultaneously take direct control of up to 32 computers. Using ATEN advanced video routing technology, users can separately access up to 8,000 KVM ports in cascaded KM0832 at the same time.

The 8 KVM consoles belonging to the first-level KM0832 are able to access all the computers on the installation—those that are directly connected as well as those that are daisy chained and cascaded. The 4 or 2 KVM consoles belonging to each daisy-chained KM0432 or KM0216 Matrix KVM Switch can access the computers that are connected to them on the same daisy-chain level.

The KM0832 allows both PS/2 and USB KVM consoles to control PS/2, USB, Sun, Mac, and serial computers. The KM0832 uses Cat 5 cables to send and receive signals up to 300 meters between console modules and KVM adapter cables (CPU modules), while Auto Signal Compensation (ASC) helps maintain high video resolution. In addition, use of RJ-45 connectors saves precious IT real estate by allowing a full 8 user ports and 32 KVM ports to reside in a single 1U housing.

Setup is fast and easy—plugging cables into their appropriate ports is all that is entailed. Because the KM0832 intercepts keyboard and mouse input directly, there is no software to configure, so there is no need to get involved in complex installation routines or be concerned with incompatibility problems.

The Web-based KM0832 Administrator Utility allows users to configure the KVM installation, account settings, and user access from anywhere, anytime. Access to any computer is easily accomplished either by means of a powerful menu-driven On Screen Display (OSD) system, or by entering *Hotkey* combinations from the keyboard. A convenient *Auto Scan* feature also permits automatic scanning and monitoring of the activities of all computers running on the installation one-by-one.

## Features

---

- ◆ Eight KVM consoles independently and simultaneously control up to 32 directly connected computers
- ◆ Automatic video routing technology enables multiple KVM consoles to access separate ports in cascaded KM0832 at the same time
- ◆ Supports up to 1024 user accounts
- ◆ Supports up to 256 group accounts
- ◆ Easy Web browser access to the KM0832 Administrator Utility to configure and maintain the KVM installation
- ◆ Saves valuable time—backup and restore settings when changing root stations<sup>1</sup>
- ◆ Supports password authentication
- ◆ Three-level user access control (Super Administrator, Administrator, and User)
- ◆ Configure port access rights via user or group account settings, or on a port-by-port basis
- ◆ Cascade up to 3 levels of KM0832 and 1 level of non-KM0832 KVM switches to support more than 8,000 computers<sup>2</sup>
- ◆ Multiplatform support: PC, Mac, Sun, and serial
- ◆ Detachable front panel for easy access to front and rear of unit
- ◆ Console conversion—any type of KVM console can control any type of computer; mixed combinations (PS/2 & USB) supported on both the KVM console and computer sides
- ◆ Additional user port on front panel for easy system maintenance<sup>3</sup>
- ◆ Hot pluggable—add or remove components without having to power off the KVM switch
- ◆ No software to install
- ◆ Convenient computer selection via intuitive hotkey combinations or On Screen Display (OSD) menus

- 
1. Backup user and group accounts, station names, port access rights, and user profile settings.
  2. See *Multilevel Installations*, page 22, for a list of supported non-KM0832 KVM switches.
  3. Shares the same bus with USER PORT 1 on the rear panel.
-

- ◆ Graphical user interface for convenient, user-friendly operation, supported by the KA9233 Console Module and Administrator Utility
- ◆ Daisy chain up to 7 additional KM0432 or KM0216 Matrix KVM Switches<sup>1</sup>
- ◆ Auto-sensing of station's position on daisy chain installations—OSD and front panel LED indicates station's position
- ◆ Port names are automatically reconfigured when the station sequence is changed
- ◆ OSD screen automatically adjusts to resolution changes
- ◆ Auto Scan feature for monitoring user-selected computers
- ◆ Super Administrators can view and end sessions of other users
- ◆ Super Administrators can broadcast keyboard input to all computers in the KVM installation
- ◆ PS/2 keyboard and mouse emulation—computers boot even when the KVM console focus is elsewhere
- ◆ LCD, VGA, SVGA, XGA, and MultiSync support; DDC2B
- ◆ Superior video quality—1024 x 768 @ 60Hz for up to 300m; 1920 x 1440 @ 60Hz (distance depends on installation environment)
- ◆ Auto Signal Compensation (ASC) assures optimum video resolution for distances up to 300m between computers and KVM consoles—no DIP switch setting required
- ◆ Free lifetime firmware upgrades
- ◆ Compact design—rack mounts in only 1U of rack space
- ◆ Multi-architecture compatibility
  - ◆ PC (x86/x64)
  - ◆ Macintosh PowerPC
  - ◆ Sun Microsystems Sparc
- ◆ Allows centralized control of computers located at non-contiguous locations on the site.

---

1. If this feature is not operative on your unit, you will need a newer version of the firmware. Contact your dealer for details.

## Requirements

---

### Consoles

The following hardware components are required for each KVM console:

- ♦ A VGA, SVGA, or MultiSync monitor capable of displaying the highest resolution provided by any computer in the installation
- ♦ Keyboard and mouse (PS/2 or USB)

Console modules are required to connect KVM consoles to the KM0832. They provide flexibility for your installation by allowing PS/2 and USB interfaces to be mixed and matched at the KVM console side. The console modules currently available are listed in the table below. Contact your dealer for details or refer to the documentation included with your console module.

Function	Model Number
PS/2 Console Module	KA9222A
PS/2-USB Combo Graphic Console Module	KA9233
USB Console Module	KA9272A

## **Computers**

The following hardware components are required for each computer:

- ♦ A VGA, SVGA, or MultiSync video graphics card with an HDB-15 port; or, for legacy Sun systems, a Sun 13W3 video port
- ♦ PS/2 mouse and keyboard ports (6-pin Mini-DIN), or at least one USB port; or, for legacy Sun systems, a Sun style keyboard port (8-pin Mini-DIN)

KVM adapter cables (CPU modules) connect multiplatform computers (PS/2, USB, Sun, Mac, and serial) and certain cascaded KVM switches to the KM0832. The KVM adapter cables currently available are listed in the table below. Contact your dealer for details.

Function		Model Number
KVM adapter cables (CPU modules)	For PS/2 computers	KA8120
	For PS/2 computers	KA9120
	For Sun legacy computers	KA9130
	For Sun USB computers	KA9131
	For serial devices	KA9140
	For USB computers	KA9170

## **Cables**

One or more of the following cables are required for use with the KM0832:

Function	Type
Console module or KVM adapter cable to KM0832 (see p. 138)	Cat 5 cable
Daisy chain cables	LIN5-50H1-H12 (15 cm) 2L-1700KM (60 cm) 2L-1701KM (1.2 m) 2L-1704KM (4 m)

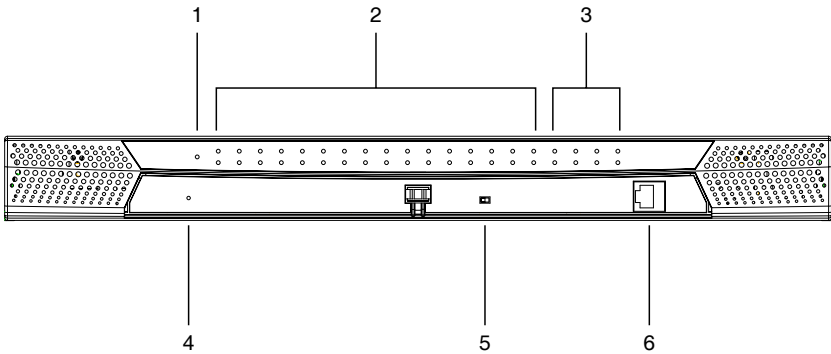
## **Operating Systems**

The KM0832 supports the following operating systems:

- ◆ Microsoft® Windows® 2000 and higher
- ◆ Mac OS® 9.0 and higher
- ◆ RED HAT® Linux® 6.0, 7.1, 7.2, 7.3, 8.0 and higher
- ◆ Mandriva 9.0 and higher
- ◆ SUSE Linux 8.2 and higher
- ◆ Free BSD 3.5.1, 4.2, 4.3, 4.5 and higher
- ◆ Sun Solaris™ 8 and higher
- ◆ Novell NetWare 5.0, 6.0 and higher
- ◆ IBM OS/2 Warp Ver 2.0
- ◆ IBM AIX 4.3 and higher
- ◆ Microsoft DOS 6.22



## KM0832 Front View



### 1. POWER LED

Lights to indicate that the KM0832 is powered on.

### 2. KVM Port LEDs

The KVM port LEDs are multicolored (red/green/amber) and provide status information about their corresponding KVM ports as follows:

Color	Condition	Indication
Amber	Steady	KVM port is selected; connected computer is on
	Flashing	KVM port is selected; KVM port is cascaded to a powered on KVM switch
Green	Steady	KVM port is not selected; connected computer is on
	Flashing	KVM port is not selected; KVM port is cascaded to a powered on KVM switch
Red	Steady	KVM port is selected; connected computer is off, or there is no computer connected
Off		KVM port is not selected; connected computer is off

### 3. User Port LEDs

Lights (green) to indicate that the console module connected to the corresponding user port is online. Flashes when cascaded from the KVM port(s) of a parent KVM switch.

Condition	Indication
Steady	Console module is on
Flashing	User port is cascaded from a powered on KVM switch
Off	Console module is off

### 4. SYSTEM RESET Button

- ◆ Pressing in this button performs a system reset. When the system is reset, the KM0832 beeps, and then the KVM port LEDs flash in succession until the reset is completed. After the reset is completed you can login again.

---

**Note:** This button is semi-recessed and must be pushed with a thin object—such as the end of a paper clip or a ballpoint pen.

---

### 5. USER PORT 1 Switch

This switch selects which USER PORT 1 is active—the one on the front panel or the rear panel. Set it to FRONT to activate USER PORT 1 on the front panel; set it to REAR to activate USER PORT 1 on the rear panel.

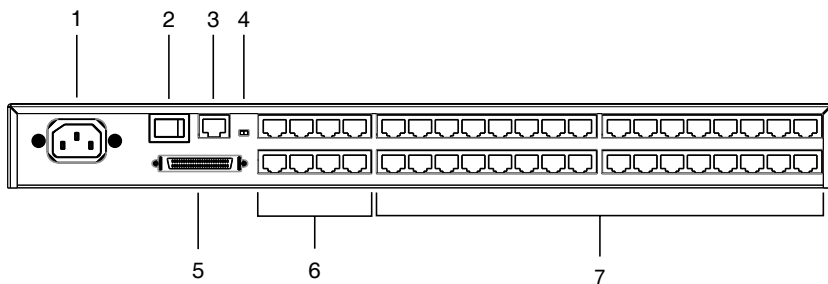
### 6. USER PORT 1 (Maintenance Port)

This user port is provided for convenient and easy access for system maintenance. It shares the same function with USER PORT 1 on the rear panel. By switching the USER PORT 1 switch to FRONT, USER PORT 1 on the rear panel is deactivated and USER PORT 1 on the front panel is activated. Use it just as you would any other user port. (You must return the USER PORT 1 switch to the REAR position to reactivate USER PORT 1 on the rear panel.)

---

## KM0832 Rear View

---



### 1. Power Socket

The power cord to the AC source plugs in here.

### 2. POWER Switch

This is a standard rocker switch that powers the KVM switch on and off.

### 3. CONFIGURATION Port

The KM0832 is connected to the local network via the CONFIGURATION port. It provides access to the KM0832 Administrator Utility to configure the KVM installation, create and manage user and group accounts, set device access permissions, upgrade firmware, etc.

### 4. F/W UPGRADE Switch

During normal operation and while performing a firmware upgrade, the firmware upgrade recovery switch should be in the NORMAL position. See p. 89 for firmware upgrade recovery details.

### 5. CHAIN OUT Port

When daisy chaining KVM switches (see p. 30), the CHAIN OUT port is used to connect the lower-level KVM switches in the chain.

---

**Note:** If this feature is not operative on your unit, you will need a newer version of the firmware. Contact your dealer for details.

---

## 6. USER PORT

The Cat 5 cables from the console modules plug in here.

- ◆ USER PORT 1 shares its KVM access with USER PORT 1 on the front panel. The USER PORT 1 switch (front panel) controls which of the two user ports is active. See *USER PORT 1 Switch*, page 8, for more information.

## 7. KVM Ports

The Cat 5 cables that link the KVM adapter cables to the KM0832 plug in here.

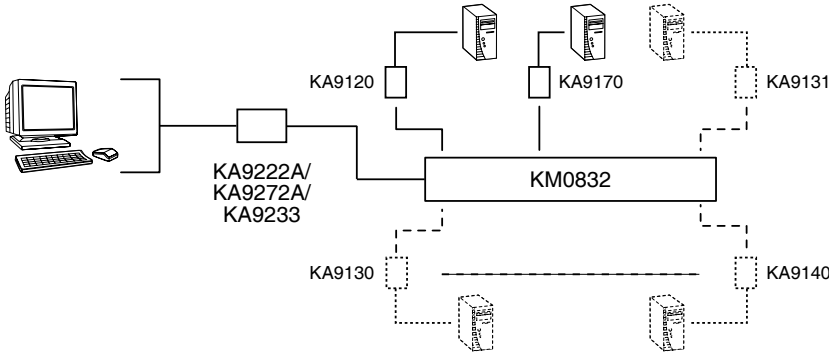
# Chapter 2

## Installation

### Overview

---

For convenience and flexibility that allows mixing the PS/2 and USB interfaces, the KM0832's design utilizes *console modules* that act as signal translation intermediaries between the KVM consoles and the KVM switch, and *KVM adapter cables*, that serve as intermediaries between the KVM switch and the computers:



A separate console module is required for each KVM console; likewise, a separate KVM adapter cable is required for each computer. The console modules and KVM adapter cables are listed in the *Cables* section on page 4. Consult your dealer to find out which console modules and KVM adapter cables best fit your needs.

## Before you Begin

---



1. Important safety information regarding the placement of this device is provided on page 131. Please review it before proceeding.
2. Ensure that all equipment to be connected is powered off.
3. Make sure that all devices you will be connecting up are properly grounded.
4. Unplug the power cords of any computers that have the Keyboard Power On function.

---

## Stacking and Rack Mounting

---

The KM0832 can be stacked on the desktop or rack mounted by a variety of different methods in 1U of rack space. The procedures for each method are described in the following sections.

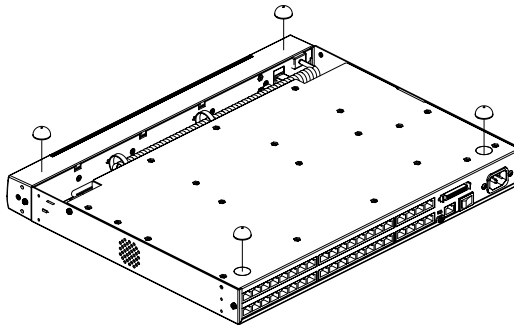
---

**Note:** Allow at least 5.1 cm on each side for adequate ventilation and 12.7 cm at the rear for power cord and cable clearance.

---

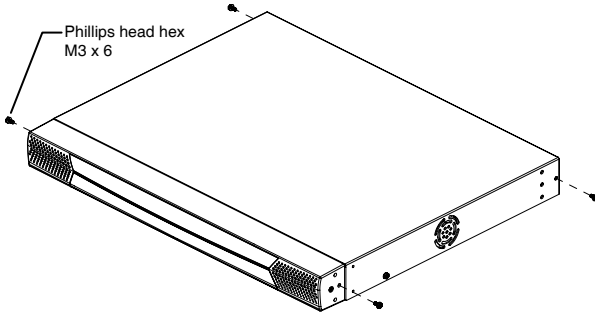
### Stacking

The KM0832 can be placed on any level surface that can safely support its weight and the weight of the attached cables. Ensure that the surface is clean and free of materials that can block the exhaust vents or otherwise interfere with normal operation of the KVM switch. A foot pad set is included with the unit. Peel the protective backing off of the foot pads, and then affix the foot pads to the bottom panel of the KM0832 at the corners, as shown in the diagram below.

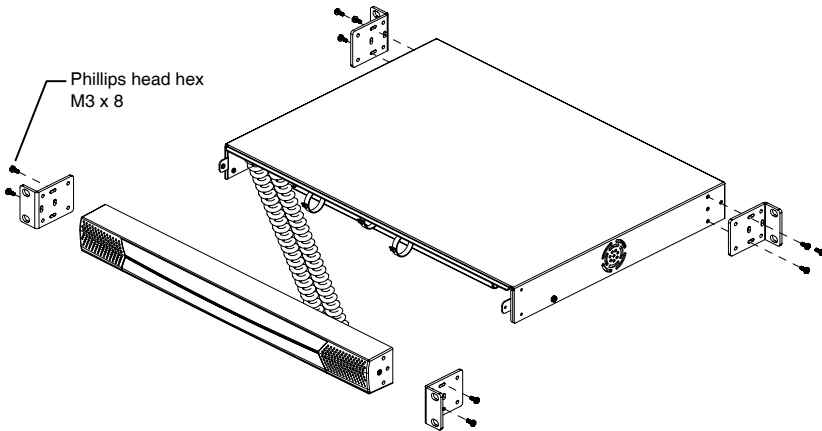


## **Rack Mounting—Split**

1. Remove the four screws from the sides of the unit, two at the front and two at the rear. The two screws at the front secure the detachable front panel to the chassis.

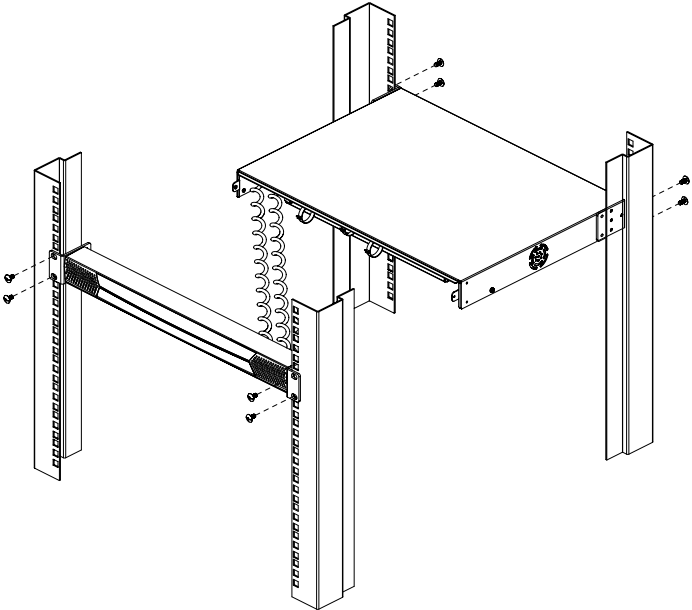


2. Detach the front panel from the chassis; however, leave the cables attached. Use the M3 x 8 Phillips head hex screws supplied with the rack mounting kit to screw the rack mounting brackets into the sides of the front panel and chassis.



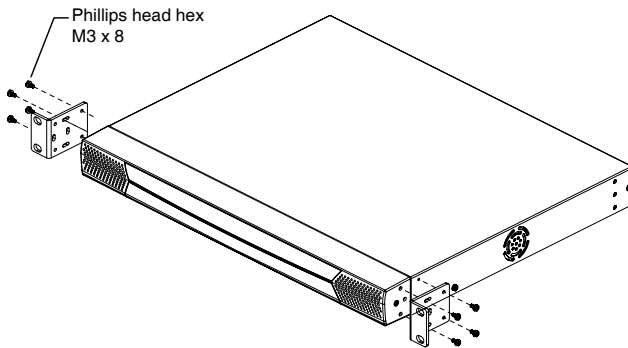


- 3. Place the KVM switch in the rack. Position it so that the holes in the mounting brackets line up with those in the rack. Secure the mounting brackets to the front and rear of the rack. Cage nuts are provided for racks that are not prethreaded.

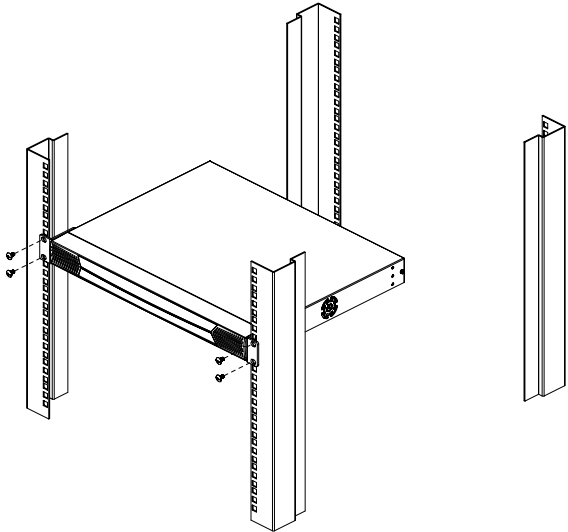


## **Rack Mounting—Front**

1. Remove the two screws that secure the detachable front panel to the chassis. (See Step 1 under *Rack Mounting—Split*, page 14.)
2. Use the M3 x 8 Phillips head hex screws supplied with the rack mounting kit to screw the rack mounting brackets into the sides at the front of the unit.

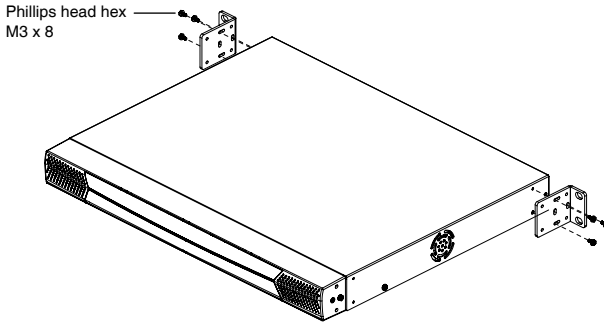


- 3. Place the KVM switch in the rack. Position it so that the holes in the mounting brackets line up with those in the rack. Secure the mounting brackets to the front of the rack. Cage nuts are provided for racks that are not prethreaded.

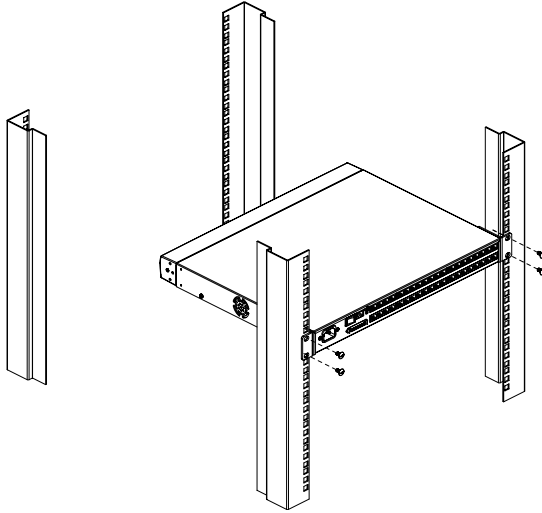


## **Rack Mounting—Rear**

1. Remove the two screws from the sides at the rear of the unit. (See Step 1 under *Rack Mounting—Split*, page 14.)
2. Use the M3 x 8 Phillips head hex screws supplied with the rack mounting kit to screw the rack mounting brackets into the sides at the rear of the unit.



3. Place the KVM switch in the rack. Position it so that the holes in the mounting brackets line up with those in the rack. Secure the mounting brackets to the rear of the rack. Cage nuts are provided for racks that are not prethreaded.



## Single Level Installation

---

In a single level installation, there are no additional KVM switches cascaded or daisy chained down from the first-level KVM switch. To set up a single-level installation, refer to the diagram on page 21 (the numbers in the diagrams correspond to the numbered steps) and do the following:

1. Connect the KVM console to the console module.  
Plug your keyboard, mouse, and monitor into their respective ports on the console module. Each port is marked with an identifying icon.

2. Connect the console module to the KM0832.  
Use Cat 5 cable to connect the Link port of the console module to one of the user ports on the KM0832's rear panel.

(Repeat steps 1 and 2 for all KVM consoles that you wish to connect. Up to 8 KVM consoles may be connected in this fashion.)

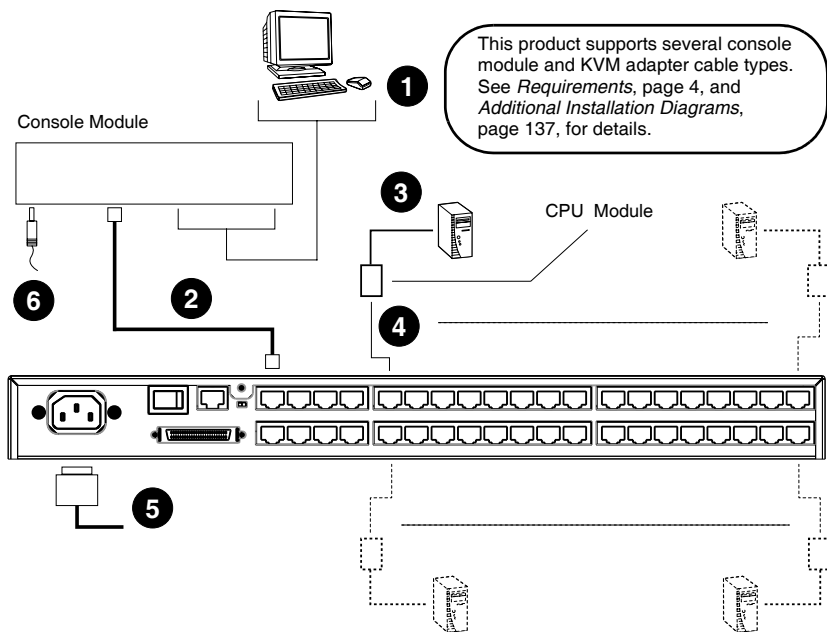
---

**Note:** The distance between any console module and any KVM adapter cable must not exceed 300m (1000').

---

3. Connect the KVM adapter cable to the computer.  
Plug the connectors on the KVM adapter cable into the appropriate ports on the computer you are installing.
4. Connect the KVM adapter cable to the KM0832.  
Use Cat 5 cable to connect a compatible KVM adapter cable to any available KVM port on the KM0832.  
  
(Repeat steps 3 and 4 for all computers that you wish to connect. Up to 32 computers may be connected in this fashion.)
5. After all your computers have been cabled up, plug the female end of the power cord into the KM0832's power socket; plug the male end into an AC mains power source.
6. Connect the power adapter to the console module and to an AC mains power source appropriate for the device.
7. Turn on the power to the KM0832.
8. Turn on the power to the computers.

## Single Level Installation Diagram



## Multilevel Installations

---

You can greatly expand the number of computers that can be added to your installation by performing a multilevel installation. The KM0832 supports two types of multilevel installation:

- ◆ Cascading
- ◆ Daisy chaining

### Overview

Cascading involves using the KVM port(s) of a *parent* KVM switch (one that is above a KVM switch linked down from it) to connect to the user ports of a *child* KVM switch.

Daisy chaining refers to adding a KVM switch via a dedicated daisy-chain port (see the diagram on p. 32). When daisy chaining KM0432 or KM0216 Matrix KVM Switches, KVM Ports 1–4 on the first-level KM0832 will be unusable. Neither computers nor cascaded KVM switches can be connected to these KVM ports.

The KM0832 supports both daisy chaining and cascading, providing enormous capacity and flexibility to expand the installation. The following sections provide information and procedures to set up cascaded and daisy-chained KVM installations.

---

**Note:** If the daisy-chain feature is not operative on your unit, you will need a newer version of the firmware. Contact your dealer for details.

---



The table below lists KVM switches that are compatible with the KM0832 and the type of expansion that they use. (KVM switches listed below are sold separately. Contact your dealer for details.)

Expansion Type	Brand	Model	Name
Cascade	ALTUSEN	KM0832	8 Console 32 Port Matrix KVM Switch
Daisy chain	ALTUSEN	KM0432	4 Console 32 Port Matrix KVM Switch
Daisy chain	ALTUSEN	KM0216	2 Console 16 Port Matrix KVM Switch
Cascade	ALTUSEN	MP0120	Matrix Plus PS/2 KVM Adapter Cable
Cascade	ALTUSEN	MP0130	Matrix Plus Sun Legacy KVM Adapter Cable
Cascade	ALTUSEN	MP0131	Matrix Plus USB KVM Adapter Cable
Cascade	ALTUSEN	KH88	8 Port High-Density KVM Switch
Cascade	ALTUSEN	KH98	8 Port Health Manager KVM Switch
Cascade	ATEN	CS88A	8 Port PS/2 KVM Switch
Cascade	ATEN	CS9138	8 Port PS/2 KVM Switch

Please keep in mind the following limitations when installing more than one KVM switch. Where distances are mentioned, they refer to the cumulative length of all cables used to connect the devices.

- ◆ The maximum distance from any console module to the lowest-level KVM switch (or Matrix Plus KVM adapter cable in a chain) cannot exceed 300 meters.
- ◆ The maximum distance between any two KM0832 cannot exceed 150 meters.
- ◆ Once a non-KM0832 KVM switch has been cascaded from a KVM port, no other KVM switch can be cascaded from that KVM port.
- ◆ The maximum distance between the KM0832 and the last KM0432 or KM0216 in the daisy chain cannot exceed 20 meters, regardless of the number of KM0432 or KM0216 in the daisy chain.
- ◆ The maximum distance between any two KVM switches in the daisy chain cannot exceed 10 meters.
- ◆ Only 4 or 2 KVM console users (or one KM0832 Administrator Utility user) at a time can access daisy-chained KM0432 or KM0216.

## **Cascading**

The KM0832 supports cascading up to 3 levels of KM0832 and 1 level of KVM switches other than the KM0832 (compatible KVM switches are listed above). However, no matter how many levels of KM0832 are cascaded, you can only cascade 1 level of other KVM switches. After cascading a KVM switch other than the KM0832, you cannot cascade anymore KVM switches from that KVM port.

When the KVM consoles of the first-level KVM switch invoke the OSD, all computers on the cascaded KVM installation are listed in the port directory.

In cascaded installations, the number of bus connections between a parent and child KVM switch determines the number of users that can simultaneously access the KVM ports of a child KVM switch. A bus connection is established by connecting a KVM port on the parent KVM switch to a user port on the child KVM switch. The KM0832 supports a maximum of eight bus connections for each cascaded KM0832, and usually no more than one for other KVM switches.

In order for all eight KVM consoles on the first-level KM0832 to be able to access the KVM ports of a cascaded KM0832 at the same time, you must create eight bus connections between the first-level KVM switch and the child KVM switch. If the two KVM switches are not directly connected, the intermediary KVM switch(es) must have eight bus connections to the parent and child KVM switches.

KVM consoles connected to the user ports of a cascaded KVM switch cannot access KVM ports in the parent KVM switch(es).

## **Cascading KM0832 Matrix KVM Switches**

To cascade KM0832 Matrix KVM Switches (refer to the installation diagram on p. 26):

---

**Note:** Before cascading additional KM0832, ensure that the firmware version of the KM0832 to be installed matches that of the first-level KM0832. Otherwise, they may be incompatible.

---

1. Connect the KVM console to the console module.  
Plug the keyboard, mouse, and monitor into the ports on the console module. Each port is marked with an identifying icon.
2. Connect the console module to the KM0832.

Use Cat 5 cable to connect the Link port of the console module to one of the user ports on the KM0832's rear panel.

(Repeat steps 1 and 2 for all KVM consoles that you wish to connect. Up to 8 KVM consoles may be connected in this fashion.)

---

**Note:** The distance between any console module and any KVM adapter cable, or the first-level and last-level KVM switches, cannot exceed 300m (1000').

---

3. Use Cat 5 cable to connect up to eight KVM ports on the first-level KVM switch to the user ports on the second-level KVM switch. (The number of KVM consoles on the first-level KM0832 that can simultaneously access the cascaded KVM switch is limited by the number of connections between the parent and child KVM switches.)

(Repeat step 3 for each second-level KVM switch that you wish to cascade. If you wish to cascade any third-level KVM switches, follow the instructions in step 3 when cascading them from the second-level KVM switches.)

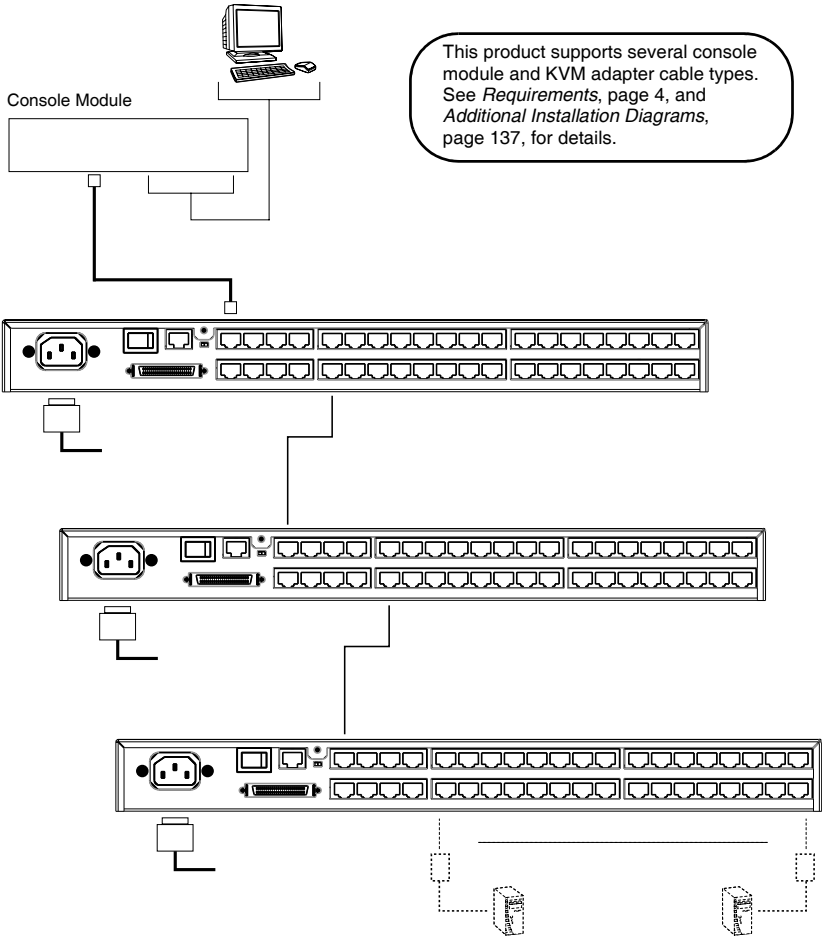
---

**Note:** The maximum distance between any two KM0832 cannot exceed 150m.

---

4. If you wish to cascade Matrix Plus KVM adapter cables, see *Cascading Matrix Plus KVM Adapter Cables*, page 27. If you wish to cascade KVM switches other than the KM0832, see *Cascading Other KVM Switches*, page 29.
5. Use Cat 5 cable to connect KVM adapter cables to any available KVM ports; plug the connectors on the KVM adapter cables into the keyboard, video, and mouse ports of the computers you wish to install.
6. Plug the provided power cable into the power socket on the first-level KM0832; connect the power cable to an AC mains power source with appropriate voltage for the KM0832, then turn on the KM0832.
7. Wait one minute, and then repeat step 6 for each second-level KM0832.
8. Wait one minute, and then repeat step 6 for each third-level KM0832.
9. Plug the power adapters supplied with the console modules into an appropriate AC mains power source, and then plug the power adapter cables into the power jacks on the rear of the console modules.
10. Turn on the power to all the computers.

## Cascaded KM0832 Installation Diagram



## Cascading Matrix Plus KVM Adapter Cables

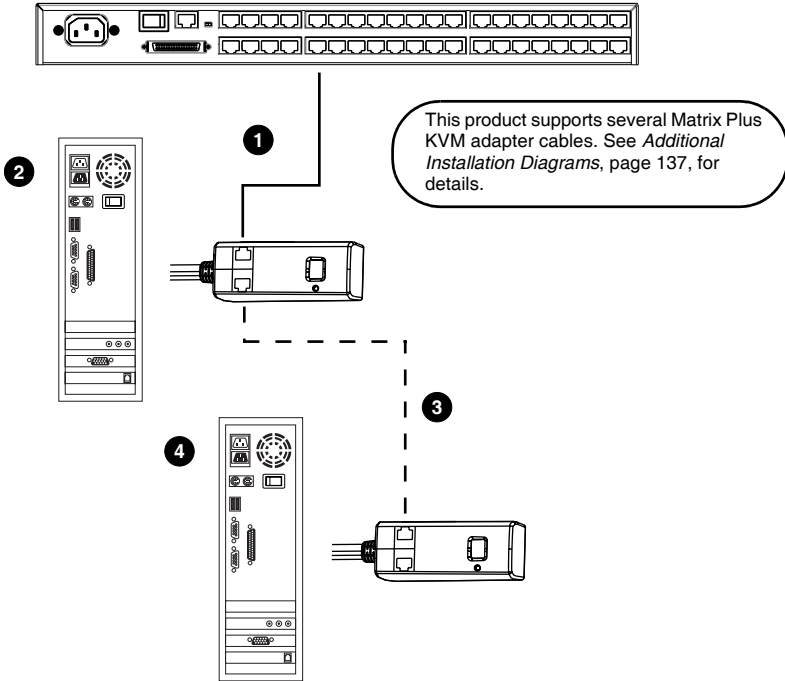
You can connect a chain of Matrix Plus KVM adapter cables to each KM0832 KVM port. When connecting Matrix Plus KVM adapter cables to the KM0832, you do not need to install the MP0101M Master Module as with other matrix KVM switches. The table on page 23 lists compatible Matrix Plus KVM adapter cables and the computer platforms they support.

To install Matrix Plus KVM adapter cables, refer to the installation diagram on page 28 (the numbers in the diagram correspond with the numbers in the procedure) and do the following:

- 
- Note:**
1. The total distance between the KM0832 and the last Matrix Plus KVM adapter cable in the chain cannot exceed 150m (500').
  2. The distance between adjacent Matrix Plus KVM adapter cables cannot exceed 0.5 m.
- 

1. Use a Cat 5 cable to connect a KVM port on the KM0832 to the CHAIN IN port on a Matrix Plus KVM adapter cable.
2. Connect the cables on the Matrix Plus KVM adapter cable to the keyboard, video, and mouse ports on the computer you are installing. Stop here if you are installing only 1 Matrix Plus KVM adapter cable. Otherwise, go to Step 3 if you are chaining additional Matrix Plus KVM adapter cables.
3. Use a Cat 5 cable to connect the CHAIN OUT port on the first-level Matrix Plus KVM adapter cable to the CHAIN IN port on the second-level Matrix Plus KVM adapter cable.
4. Connect the cables on the Matrix Plus KVM adapter cable to the keyboard, video, and mouse ports on the computer you are installing.
5. Repeat steps 3 and 4 for any additional Matrix Plus KVM adapter cables you are installing in the chain.

## Matrix Plus KVM Adapter Cable Installation Diagram



### Cascading Other KVM Switches

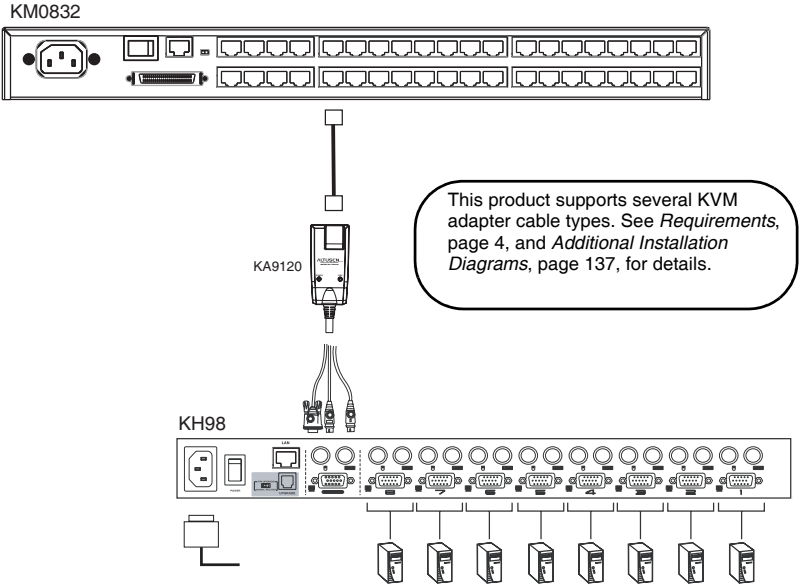
When cascading KVM switches other than the KM0832, a KVM adapter cable is required. The KVM adapter cable converts the KVM port connector used by the KM0832 to connectors appropriate for the KVM switch that you are installing. Refer to the table on page 5 that lists the KVM adapter cables and the platforms that they support.

**Note:** Only 1 non-KM0832 KVM switch can be cascaded from each KVM port, regardless of its position in the installation. After cascading a non-KM0832 KVM switch, you cannot cascade anymore KVM switches from that KVM port.

To cascade a KVM switch other than the KM0832:

1. Use a Cat 5 cable to connect a KVM port on the KM0832 to the KVM adapter cable.
2. Connect the cables on the KVM adapter cable to the console ports on the KVM switch you are installing.
3. If you have not already done so, using KVM cables, connect the computer(s) to the KVM switch.

### Other Cascaded KVM Switch Installation Diagram



## **Daisy Chaining**

Up to 7 KM0432 or KM0216 Matrix KVM Switches can be daisy chained to the first-level KM0832. When daisy chained with the KM0432 or KM0216, the KM0832 must occupy the *master* (first-level) position, while the KM0432 or KM0216 must be used as the *slave* KVM switch(es) (those KVM switches daisy chained from the master KVM switch).

When daisy chaining KM0432 or KM0216, KVM Ports 1–4 on the first-level KM0832 will be unusable. Neither computers nor cascaded KVM switches can be connected to these KVM ports.

The KM0832 is capable of supporting eight independent KVM consoles, while each KM0432 or KM0216 is capable of supporting 4 or 2 independent KVM consoles. In a complete daisy-chained installation, the eight KVM consoles that belong to the KM0832 can access and control all of the computers on the installation. The 4 or 2 KVM consoles belonging to each slave KM0432 or KM0216 KVM switch only control the computers connected to their respective KVM switches.

---

**Note:** If the daisy-chain feature is not operative on your unit, you will need a newer version of the firmware. Contact your dealer for details.

---



To set up a daisy-chained installation, refer to the diagram on page 32 and do the following:

1. Use a daisy-chain cable set (described in *Cables*, page 5) to connect the CHAIN OUT port of the first-level KM0832 to the CHAIN IN port of the slave KM0432 or KM0216 (first station out to second station in, second station out to third station in, etc.).

---

**Note:** 1. When daisy chained with the KM0432 or KM0216, the KM0832 must occupy the first-level (master) position, while the KM0432 or KM0216 must be used as the slave station(s).

2. The maximum distance between any two KM0432 or KM0216 cannot exceed 10m.

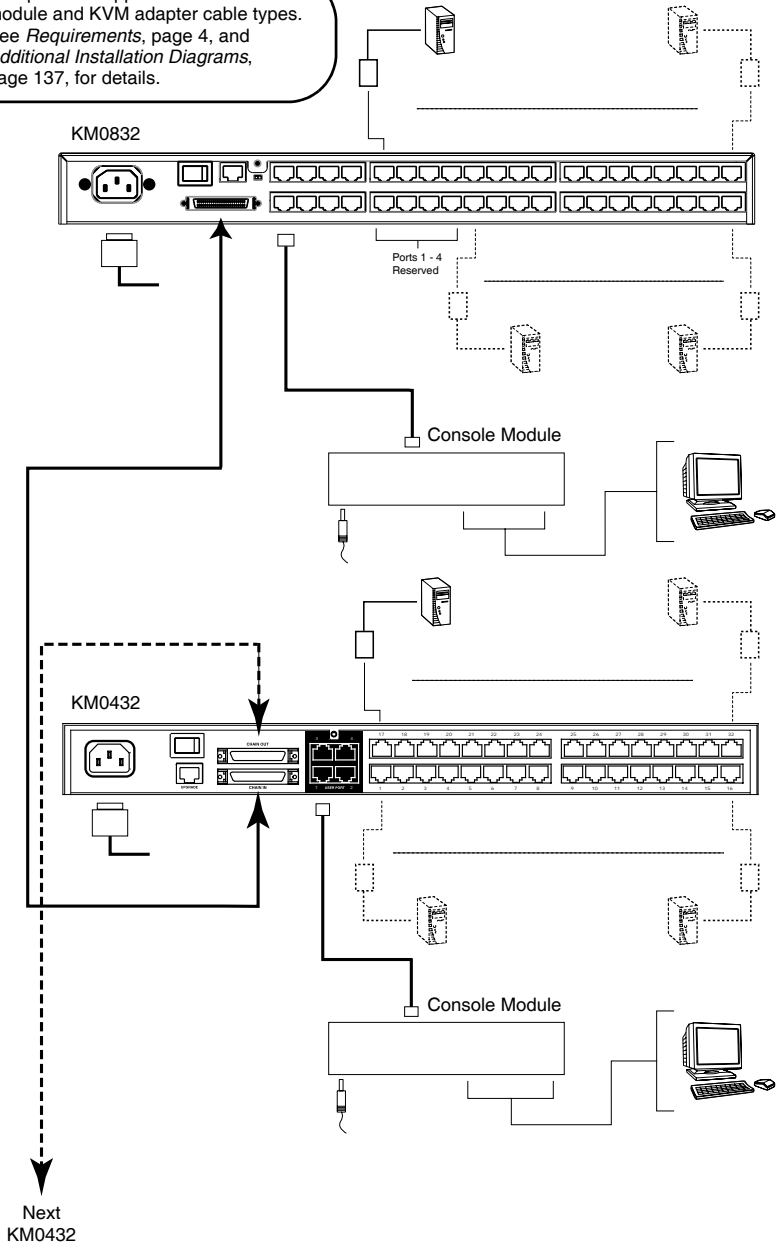
3. The maximum distance between the first-level KM0832 and the last KM0432 or KM0216 in the daisy chain cannot exceed 20m.

---

2. If you wish to install any console modules or KVM adapter cables on the KM0432 or KM0216, follow the procedures described in *Single Level Installation*, page 20.  
(Repeat the above steps for any additional KM0432 or KM0216 you wish to add to the chain.)
3. Plug the power cords into an AC mains power source and into the power sockets on the KM0832 and KM0432 or KM0216.
4. Power on the installation according to the following procedure:
  - a) Power on the first-level KVM switch (KM0832). Wait one minute for the KVM switch to ascertain its position. (The KM0832 does not have a station ID because it always occupies the first station position.)
  - b) Power on each KVM switch on the installation in turn (second station, then third station, etc.). In each case, wait for the position to be ascertained and displayed on the current station ID before powering on the next station. (The ID for the second-level KVM switch is **02**, the ID for the third-level KVM switch is **03**, etc.).
  - c) After all the KVM switches are powered on, power on the computers.

## Daisy-Chained Installation Diagram

This product supports several console module and KVM adapter cable types. See *Requirements*, page 4, and *Additional Installation Diagrams*, page 137, for details.



## Network Installation

---

You can configure most KM0832 settings from within a Web browser. To do so, you need to install the KM0832 on the local network.

To install the KM0832 on the local network:

Connect one end of a Cat 5 cable to the Ethernet and the other end to the CONFIGURATION port on the rear panel of the KM0832.

---

**Note:** It is not necessary to connect cascaded KVM switches to the Ethernet. Cascaded KVM switches are managed through the KM0832 Administrator Utility of the first-level KVM switch.

---

## Topology Considerations

---

The use of RJ-45 KVM port connectors, combined with Auto Signal Compensation (ASC), allow signals to travel up to 300 meters (1000 feet) and still maintain reliability and high video resolution. This allows the KM0832 installation to take advantage of the internal Cat 5e and Cat 6 wiring built-in to most modern commercial buildings.

Since the data signals are not transmitted in packets, the transmission cannot go through network hubs or switches. Passive components such as patch panels, keystone jacks, patch cables, etc. can be used to channel the traffic, instead.

This Page Intentionally Left Blank

# Chapter 3

## Basic Operation

### **Hot Plugging**

---

The KM0832 supports *hot plugging*—components can be removed and added back into the installation by unplugging their cables from the ports without the need to shut down the KVM switch. In order for hot plugging to work properly, however, the procedures described below must be followed:

#### **Switching Daisy-Chained KVM Switch Positions**

You can switch the position of daisy-chained KM0432 or KM0216 by simply unplugging from the old master KVM switch and plugging into a new one.

#### **Switching Cascaded KVM Switch Positions**

You can switch the position of cascaded KM0832 by simply unplugging from the old parent KVM switch and plugging into a new one. The station names and port notes are automatically synchronized with the new position in the installation.

Cascaded non-KM0832 also can be hot plugged; however, port notes are not automatically synchronized. You will need to manually update port notes after changing the position of either cascaded non-KM0832 or attached computers.

#### **Hot Plugging User Ports**

The keyboard, monitor, and mouse all can be hot plugged. If you experience a problem after you plug in a new mouse, do a system reset by pressing the reset button on the KM0832's front panel (see p. 8 for details). If this doesn't resolve the problem, restart the computers that have the problem.

## Powering Off and Restarting

---

Powering off the KM0832 does not affect the computers attached to it. When you restart the KM0832, you will regain control immediately. To replace a KM0832, simply power it down, unplug the cables, plug them into the new KVM switch, and power the new KVM switch on.

---

**Note:** If any of the computers behave strangely after powering off and restarting, or changing a KVM switch, simply restart the computer.

---

## Port Selection

---

Port selection is accomplished either by means of the KM0832's OSD or by entering Hotkey combinations from the keyboard. OSD operation is discussed in detail in Chapter 5; hotkey port selection is discussed in Chapter 6.

Although hotkeys are handy for a single level installation, we strongly recommend you use the more powerful and versatile OSD—especially for cascaded and daisy-chained installations.

# Chapter 4

## Administrator Utility

### Overview

---

The KM0832 Administrator Utility enables network administrators to securely manage the KM0832 Matrix KVM Switch from anywhere in the world at anytime. Super administrators can manage users and groups, control port access, upgrade firmware versions, and perform many other administrative functions using the intuitive and easy-to-use menus and icons. The KM0832 Administrator Utility is browser-based and does not require any software to be installed on either client computers or servers.

The KM0832 Administrator Utility offers simultaneous access for up to 16 administrators and users. Up to seven users at a time can configure settings in the KM0832, while one user at a time can configure settings in daisy chained KM0432 or KM0216. Security is maintained by a powerful combination of user password authentication, three-level user access control, and port restrictions. These ensure that unauthorized users cannot gain control of your mission-critical servers.

The KM0832 Administrator Utility's integrated tree view provides seamless navigation of daisy-chained and cascaded KVM switches. Root station configurations are automatically synchronized with all cascaded KM0832 Matrix KVM Switches.

Most features of the KM0832 Administrator Utility are also available from the text-based OSD. Changes made in the KM0832 Administrator Utility are reflected in the text-based OSD and vice-versa.

This chapter describes how to configure the KM0832, set up user and group accounts, configure KVM ports, upgrade firmware, and perform other administrative functions.

## Setting the IP Address

---

You can use a Web browser, the IP Installer, or the OSD to configure the KM0832 for deployment on your local network. Or, you can assign an IP address from the command line. To use a Web browser to configure the KM0832 you will need: (1) a computer equipped with a Web browser, (2) an Ethernet hub with at least 2 ports, and (3) 2 Cat 5 cables.

To configure the network settings via a Web browser:

1. Plug one end of a Cat 5 cable into the Ethernet hub and the other end into the CONFIGURATION port on the rear panel of the KM0832.
2. Plug one end of a Cat 5 cable into the Ethernet hub and the other end into the network adapter of a computer equipped with a Web browser.
3. Make sure that the computer's IP address lies within the same subnet as that of the KM0832. (The default IP address for the KM0832 is *192.168.0.10*.) Set the IP address for the computer's network adapter to *192.168.0.XXX*, where *XXX* represents any value from 1–254 (except 10 and 254, which are reserved for the KM0832). (See *Factory Default Settings*, page 136, for a list of the KM0832's default network settings.)

---

**Note:** If you are using a proxy server, you might need to modify your computer's proxy server settings before accessing the KM0832.

---

4. Enter *192.168.0.10* in your Web browser's address bar. The KM0832 Login Webpage appears.
5. After logging in, assign an IP address that is appropriate for your local network to the KM0832. (See *Network Configuration*, page 48).
6. After logging out, restore your computer's network adapter settings back to their original values.

To configure the network settings via the IP Installer:

Go to the ATEN homepage and select the Webpage that is specific for the KM0832. From there you can download the IP Installer along with instructions on how to use it to assign an IP address to the KM0832.

To configure the network settings from within the OSD:

1. From a KVM console, open the OSD. Navigate to the IP ADDRESS SETTING screen (see *SET NETWORK*, page 118).



2. Follow the instructions on page 118 of this user manual to manually set the IP address or to view the current settings. (If DHCP is enabled, you will not be able to view the IP address.)

To assign an IP address from the command line:

1. Power off the KM0832.
2. At the command line, enter the following command:

```
arp -s <IP address> <MAC address>
```

<IP address> is an IP address suitable for the network segment that the KM0832 resides on.

<MAC address> is the MAC address found on the bottom panel of the KM0832.

3. Power on the KM0832.
4. Within 30 seconds of powering on the KM0832, enter the following command at the command line:

```
ping <IP address>
```

<IP address> is the IP address that you entered in Step 2.

If you receive a reply, then the KM0832 accepted the IP address. You may now follow the procedure to login (see page 40).

## Logging In

---

The KM0832 Administrator Utility provides secure, password-protected access to the KM0832. A default super administrator account is provided to login and configure the initial settings:

Username: ADMIN

Password: ADMIN

We recommend that you change the password for the default super administrator account. Failure to do so may put your matrix KVM switch installation at risk of unauthorized access. See *Configuring OSD User Settings*, page 79, to change the password. After other user accounts have been added to the KM0832, it is no longer necessary to use the default super administrator account to login. However, this account cannot be deleted and it does not appear in the list of usernames.

To login to the KM0832 Administrator Utility:

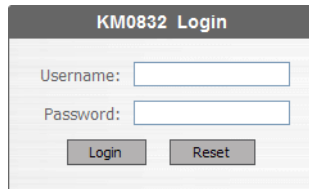
1. Enter the IP address of the KM0832 in the address bar of a Web browser and press **Enter**.

---

**Note:** If you do not know the IP address of the KM0832, ask your network administrator.

---

2. When the **Security Alert** dialog box appears, accept the certificate—it can be trusted. (See *Trusted Certificates*, page 142, for details.) The **KM0832 Login** Webpage appears.



The image shows a web browser window displaying the 'KM0832 Login' page. The page has a dark grey header with the text 'KM0832 Login' in white. Below the header, there are two input fields: 'Username:' and 'Password:'. At the bottom of the form, there are two buttons: 'Login' and 'Reset'.

3. Enter your username and password, and then click **Login**.

Upon successfully logging in, the KM0832 Administrator Utility Main Webpage appears.

The screenshot shows the KM0832 Administrator Utility Main Webpage. The interface includes a navigation menu on the left and a main content area displaying a 'Port Status' table.

**Navigation Menu (Left):**

- VIEW SETTINGS ADMINISTRATION SEARCH
- HOME REPORT CONTACTS LOGS LOGIN HELP
- KM0832-G1
  - [1] Mail Server 1
  - [2] Mail Server 2
  - [3] Win 2K AS
  - [4] Web Server 1
  - [5] Web Server 2
  - [6] finance
  - [7] legal
  - [8] ATEN int. 1
  - [9] ATEN int. 2
  - [10] ATEN int. 3
  - [11] ATEN int. 4
  - [12] production
  - [13] cm
  - [14] helpdesk 1
  - [15] helpdesk 2
  - [16] accounting
  - [17] marketing 1
  - [18] marketing 2
  - [19] purchasing
  - [20] video
  - [21] KM0832-02
  - [22] KM0832-02
  - [23] KM0832-02
  - [24] KM0832-02
  - [25] KM0832-02
  - [26] KM0832-02
  - [27] KM0832-02
  - [28] KM0832-02
  - [29] technoc
  - [30] admin
  - [31] sales
  - [32] RD

**Port Status Table:**

Port ID	Port Note	Online	Computer / Station Type
PORT1	Mail Server 1	-	
PORT2	Mail Server 2	-	
PORT3	Win 2K AS	-	
PORT4	Web Server 1	-	
PORT5	Web Server 2	-	
PORT6	finance	-	
PORT7	legal	-	
PORT8	ATEN int. 1	-	
PORT9	ATEN int. 2	-	
PORT10	ATEN int. 3	-	
PORT11	ATEN int. 4	-	
PORT12	production	-	
PORT13	cm	-	
PORT14	helpdesk 1	-	
PORT15	helpdesk 2	-	
PORT16	accounting	-	
PORT17	marketing 1	-	
PORT18	marketing 2	-	
PORT19	purchasing	-	
PORT20	video	-	
PORT21	KM0832-02	-	
PORT22	KM0832-02	-	
PORT23	KM0832-02	-	
PORT24	KM0832-02	-	
PORT25	KM0832-02	-	
PORT26	KM0832-02	-	
PORT27	KM0832-02	-	
PORT28	KM0832-02	-	
PORT29	technoc	-	
PORT30	admin	-	
PORT31	sales	-	

## Menus

---

The menus at the top of the KM0832 Administrator Utility are described in the table below:

Menu	Description
View	Clicking the VIEW menu opens the View Webpage, which allows users to configure the OSD screen settings.
Settings	Clicking the SETTINGS menu opens the Settings Webpage. It allows users to change their account passwords. The user also can set the OSD activation keys, time to logout, and screen blanker, as well as turn on and off both the hotkey commands and the beeper, and set the idle timeout.
Administration	Clicking the ADMINISTRATION menu opens a pop-up menu. From this menu, administrators and super administrators can manage users, KVM ports, and stations. In addition, super administrators can manage groups, configure the network settings, set the date and time, and view the system information for the KM0832.
Search	Clicking the SEARCH menu opens the Search Webpage. All users can input key strings to search for computers and stations in the installation.

---

## Icons

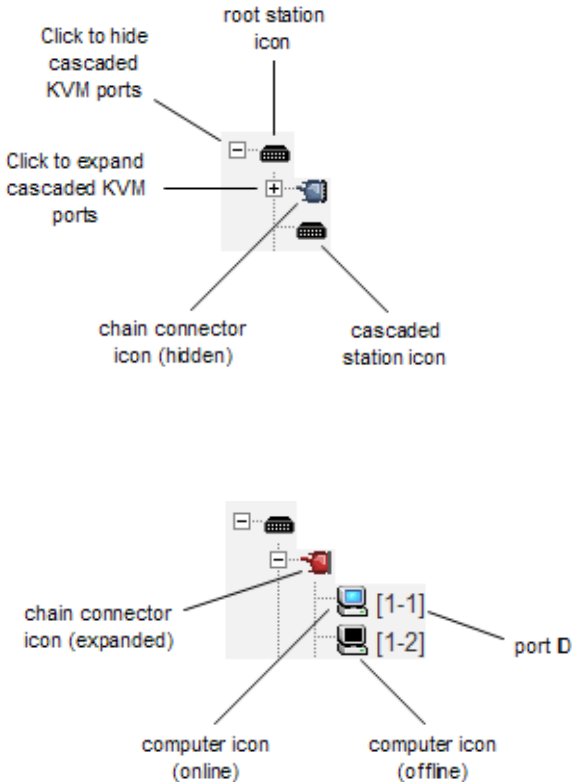
---

The icons at the top of the KM0832 Administrator Utility are described in the table below:

Icon	Description
Upgrade	Clicking the UPGRADE icon brings up the Firmware Upgrade Webpage. The super administrator can use this function to upgrade the firmware version.
Backup	Clicking the BACKUP icon opens the Backup and Restore Settings Webpage. It allows the administrator to backup the system configuration to a local computer, or restore the system configuration to the station.
Session	Clicking the SESSION icon opens the Active Sessions Webpage. This Webpage allows super administrators to see information about all the users who are currently logged into the KM0832 and provides information about each of their sessions. It also gives super administrators the option of forcing a user logout.
Log	Clicking the LOG icon opens the Event Log Webpage, which allows administrators to view all of the events that took place on the KM0832 system.
Logout	Clicking the LOGOUT icon closes the user's session.
Help	Clicking the HELP icon opens the KM0832 help file.

## Tree View Icons

A tree view at the left side of the Main Webpage displays the stations and ports. The KM0832 *root station* icon (at the top of the tree) represents the root node. Under the root station icon are *computer* icons, *chain connector* icons, and station icons, which represent the child nodes—one for each KVM port and arranged in ascending order. Clicking on a computer icon opens the Port Management Webpage for that KVM port. Clicking on a chain connector icon or station icon opens the Port Status Webpage for the cascaded station connected to the KVM port. Clicking the plus sign (+) next to a chain connector icon expands the KVM ports on that station. The port ID is displayed in brackets. (See *Port ID Numbering*, page 104, for an explanation of the port ID.)



## Port Status

Port Status			
Port ID ▾	Port Note ▾	Online ▾	Computer / Station Type ▾
PORT01	40010a	On	KM0832
PORT02	40010a	On	KM0832
PORT03		-	
PORT04		-	
PORT05		-	
PORT06		-	
PORT07		-	
PORT08		-	
PORT09		-	
PORT10		-	
PORT11		-	
PORT12		-	
PORT13		-	
PORT14		-	
PORT15		-	
PORT16		-	
PORT17		-	
PORT18		-	
PORT19		-	
PORT20		-	
PORT21		-	
PORT22		-	
PORT23		-	
PORT24		-	
PORT25		-	
PORT26		-	
PORT27		-	
PORT28		-	
PORT29		-	

After logging in to the KM0832 Administrator Utility, the Port Status Webpage displays by default. (You can display the Port Status Webpage at any time by clicking on the KM0832 station icon in the tree view. You can view the Port Status Webpage for cascaded stations by clicking the connector icon or station icon for the station.) Users see only those KVM ports for which they have *full access* and *view only* privileges. Clicking on the arrow at the top of a column sorts information in the column by ascending or descending order.

Column	Description
Port ID	Lists the KVM port number.
Port Note	Displays the port note that was assigned to the KVM port (if any). For information about port notes see <i>Configuring Port Settings</i> , page 73.
Online	Indicates whether the device attached to the KVM port is powered on.
Computer/Station Type	Displays information about the cascaded station or KVM adapter cable used to attach the computer to the KVM port.

## Naming Stations

---

To help distinguish one KVM switch from another in cascaded installations, super administrators and administrators can assign unique names to each KM0832.

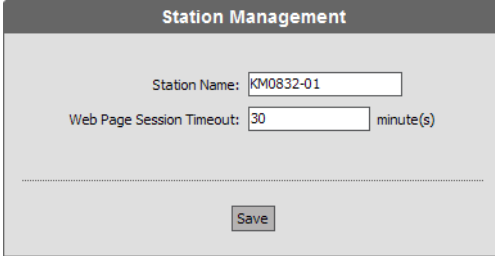
---

**Hint:** Assigning a name to a station makes it possible to find it later using the search function.

---

To assign a station name to the KM0832:

1. If you are not logged in to the KM0832 Administrator Utility, open the KM0832 Login page and login. The KM0832 Administrator Utility Main Screen will appear.
2. Click on the target station in the tree view to select it.
3. From the **Administration** menu, choose **Station Management**. The **Station Management** Webpage appears.



The screenshot shows a web interface titled "Station Management". It contains two input fields: "Station Name:" with the text "KM0832-01" and "Web Page Session Timeout:" with the value "30" and the unit "minute(s)". A "Save" button is located at the bottom of the form.

4. Type a name in the **Station Name** field. Station names may be up to 15 characters long. Legal characters include: a–z, A–Z, 0–9, space, and hyphen. Enter a unique name for the station that will differentiate it from all other stations in the KVM installation.
5. Click **Save**.



## Setting the Webpage Session Timeout

---

If the length of time that a user is idle in the KM0832 Administrator Utility exceeds the Webpage Session Timeout setting, the user's session is ended. The valid range for the Webpage Session Timeout is 1–240 minutes. The default is 3 minutes.

To set the Webpage Session Timeout for the KM0832 Administrator Utility:

1. If you are not logged in to the KM0832 Administrator Utility, open the KM0832 Login page and login. The KM0832 Administrator Utility Main Screen will appear.
2. From the **Administration** menu, choose **Station Management**. The **Station Management** Webpage appears.
3. In the **Webpage Session Timeout** field, type the number of minutes to elapse before an inactive user is timed out of the KM0832 Administrator Utility.
4. Click **Save**.

## Network Configuration

Network configuration is a super administrator function. After logging in to the KM0832 Administrator Utility, you should configure the network settings. Network settings are configured through the Network Settings Webpage.

To open the Network Settings Webpage:

1. If you are not logged in to the KM0832 Administrator Utility, open the KM0832 Login page and login. The KM0832 Administrator Utility Main Screen will appear.
2. From the **Administration** menu, choose **Super Adm Configuration > Set Network**. The **Network Settings** Webpage appears.

The screenshot displays the 'Network Settings' webpage with the following sections and fields:

- IP Installer Setting:** Radio buttons for Enabled (selected), View Only, and Disabled.
- DHCP Enabled:** Radio buttons for Yes and No (selected).
- Manual IP Address:** Text input fields for IP Address (10.0.100.228), Subnet Mask (255.255.255.0), Default Gateway (10.0.100.1), Primary DNS Server (0.0.0.0), and Alternate DNS Server (0.0.0.0).
- Port Settings:** Text input fields for HTTP Port (80) and HTTPS Port (443).
- System Event Report Settings:** Radio buttons for Mail Notification (Yes selected, No), SMTP Server Address (DESKMAIL.ATEN.COM), SMTP Authentication (Yes selected, No), Account Name (JACOB), Password (masked with dots), From (JACOB@ATEN.COM), and To (JACOB@ATEN.COM).

A 'Save' button is located at the bottom center of the form.

## **IP Installer Setting**

You can use the IP Installer to view and change network settings for the KM0832. The IP Installer can be downloaded from our Website.

- ◆ Click **Enabled** to allow the IP Installer to be used to change the IP address, subnet mask, and gateway for the KM0832.
- ◆ Click **View Only** to allow the IP Installer to be used to view the IP address, subnet mask, and gateway for the KM0832.
- ◆ Click **Disabled** to restrict the IP Installer from being used to view or change the network settings for the KM0832.

## **IP Address**

You can either manually enter a static IP address or use a DHCP server to dynamically assign one. If you enable a DHCP server to assign an IP address to the KM0832, we recommend that you configure the KM0832 to send an e-mail notification if the IP address changes. See *System Event Reports*, page 50.

To use a DHCP server to assign an IP address:

Under **DHCP Enabled**, click **Yes**.

To manually assign an IP address:

1. Under **DHCP enabled**, click **No**.
2. Under **Manual IP Address**, enter the IP address, subnet mask, default gateway, and primary DNS server. You also can enter an alternate DNS server; however, it is not required.

## **Port Settings**

Enter the network ports that the KM0832 will use to transfer Webpages and communicate with client programs. Typically, port 80 is used for Hyper Text Transfer Protocol (HTTP) communications, while port 443 is used for HTTP over Secure Socket Layer (HTTPS). Failure to assign a port for each field will cause the KM0832 Administrator Utility to function incorrectly.

## **System Event Reports**

The KM0832 can be configured to send an e-mail notification whenever the DHCP server assigns a new IP address to the KM0832. Enable the Mail Notification feature and specify the Simple Mail Transfer Protocol (SMTP) server address, information for a valid e-mail account on the server, and the e-mail address of the person to whom the message should be sent.

To enable system event reports:

1. Under **System Event Report Settings**, click **Yes** to enable Mail Notification.
2. Enter the address of the SMTP server.
3. If the SMTP server requires authentication, click **Yes** to enable SMTP Authentication. If not, skip to Step 6.
4. In the **Account Name** field, enter the username for a valid e-mail account on the SMTP server entered in Step 2.
5. In the **Password** field, enter the password for the e-mail account in Step 4.
6. In the **From** field, enter the e-mail address for the e-mail account in Step 4.
7. In the **To** field, enter the e-mail address of the person to whom the notification message should be sent.
8. Click **Save**.

## Setting the Date and Time

Super administrators can set the date and time of the KM0832, which enables the System Log, Active Sessions, and System Information Webpages to maintain accurate time-sensitive data.

To set the date and time:

1. If you are not logged in to the KM0832 Administrator Utility, open the KM0832 Login page and login. The KM0832 Administrator Utility Main Screen will appear.
2. From the **Administration** menu, choose **Super Adm Configuration** > **Date & Time**. The **Date & Time** Webpage appears.

**Date & Time**

**Current Settings**

Date (yyyy-mm-dd) 2006-04-14

Time (hh:mm:ss) 15:41:40

**Change Settings**

Synchronize with my computer

Date (yyyy-mm-dd) 2006-04-14

Time (hh:mm:ss) 15:41:43

Set manually

Date (yyyy-mm-dd) 2006-04-14

Time (hh:mm:ss) 15:41:29

Automatically synchronize with an NTP server on the Internet

**Time Zone**

Time Zone: (GMT-08:00) Pacific Time (US & Canada); Tijuana

Enable Daylight Saving Time (Summer Time)

Save

The current date and time of the KM0832 are shown at the top of the Webpage.

3. Under **System Date & Time**, select one of the following three options to set the date and time.
  - ◆ Synchronize with my computer: Select this option to synchronize the date and time of the KM0832 with that of the computer that you are using to access it.
  - ◆ Set manually: Select this option to manually enter the date and time. You must enter the date and time in the following way:
    - a) Date: Enter the date in Arabic numerals, year first, then the month, followed by the day. The year must carry four digit places, while the month and day each must carry two digit places. The year, month, and day each must be separated by a hyphen. For example, December 5th, 2005, should be written *2005-12-05*.
    - b) Time: Use 24-hour notation to enter the time as *hours:minutes:seconds*. For example, three o'clock in the afternoon would be written *15:00:00*.
  - ◆ Automatically synchronize with an NTP server on the Internet: Select this option to synchronize the date and time of the KM0832 with that of a Network Time Protocol (NTP) server on the Internet. To use this feature you will need to open UDP port 123 in your firewall.
4. From the **Time Zone** drop-down list, select the time zone in which the KM0832 is located.
5. Select **Daylight Saving Time (Summer Time)** if it is used in the region in which the KM0832 is located.
6. Click **Save**. Your settings are saved and the system date and time are updated.

## Group Management

Super administrators can create, modify, and delete up to 255 groups in the KM0832. (An additional default group cannot be modified or deleted.) Grouping users together simplifies KVM port management by enabling actions to be performed that affect a whole group of users, rather than only one. (You can still use the User Management Webpage to change individual user account settings. See *User Management*, page 58.)

All group management operations start from the Group Management Webpage. It shows all groups that have been created on the KM0832 and provides options for creating new groups and modifying or deleting existing groups.

### Adding Groups

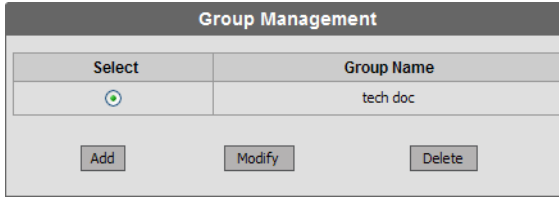
To add a new group:

1. If you are not logged in to the KM0832 Administrator Utility, open the KM0832 Login page and login. The KM0832 Administrator Utility Main Screen will appear.
2. From the **Administration** menu, choose **Account Management > Group Management**. If no groups have been created the **No Local Groups** Webpage appears. If at least one group has been created already the **Group Management** Webpage appears. Click **Add** and skip to Step 4.
3. Click **New**. The **Group Information** Webpage appears.

Group Information					
Group Name: <input type="text" value="accounting"/>					
Note	Port Path	Computer / Station	Not Assigned	View Only	Full Access
40010a	01	KM0832	<input checked="" type="radio"/>	<input type="radio"/>	<input type="radio"/>
40010a	02	KM0832	<input checked="" type="radio"/>	<input type="radio"/>	<input type="radio"/>
	03		<input checked="" type="radio"/>	<input type="radio"/>	<input type="radio"/>
	04		<input checked="" type="radio"/>	<input type="radio"/>	<input type="radio"/>
	05		<input checked="" type="radio"/>	<input type="radio"/>	<input type="radio"/>

4. Type a name in the **Group Name** field. Group names may be up to 15 characters long. Legal characters include: a–z, A–Z, 0–9, space, hyphen, square brackets, parentheses, and period.
5. If you want to assign KVM port access rights to the group, see *Managing Port Access Rights for Groups*, page 56.

6. Click **Save**. The new group is added to the **Group Management** Webpage.

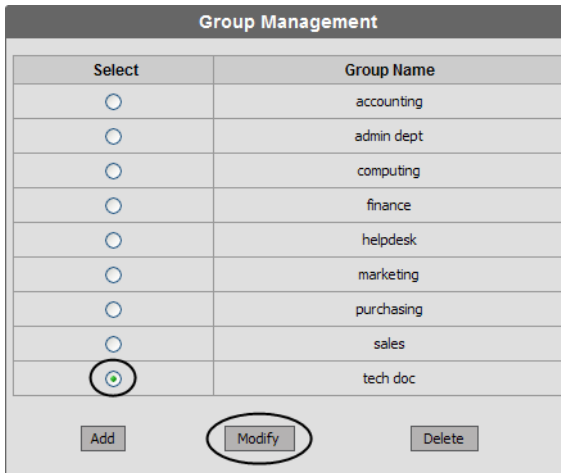


Select	Group Name
<input checked="" type="radio"/>	tech doc

## Modifying Groups

To edit a group account:

1. If you are not logged in to the KM0832 Administrator Utility, open the KM0832 Login page and login. The KM0832 Administrator Utility Main Screen will appear.
2. Open the **Group Management** Webpage.



Select	Group Name
<input type="radio"/>	accounting
<input type="radio"/>	admin dept
<input type="radio"/>	computing
<input type="radio"/>	finance
<input type="radio"/>	helpdesk
<input type="radio"/>	marketing
<input type="radio"/>	purchasing
<input type="radio"/>	sales
<input checked="" type="radio"/>	tech doc

3. Select a group name and click **Modify**. The **Group Information** Webpage appears.
4. Edit the group account settings, and then click **Save**. The **Group Management** Webpage reflects the changes you made to the group name.

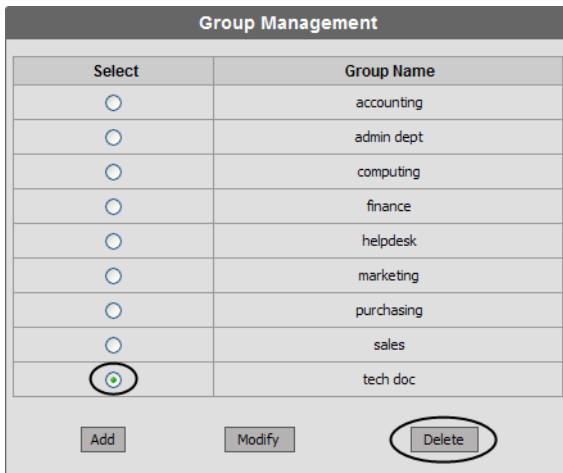


## Deleting Groups

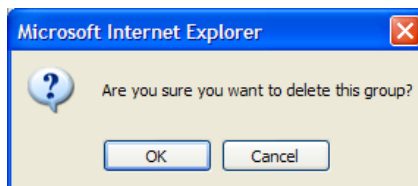
When you delete a group all users that are members of the group are also deleted. If you do not want to delete certain users in the group, first change the group membership of those users, and then delete the group.

To delete a group:

1. If you are not logged in to the KM0832 Administrator Utility, open the KM0832 Login page and login. The KM0832 Administrator Utility Main Screen will appear.
2. Open the **Group Management** Webpage.



3. Select a group name and click **Delete**. The following dialog box appears:



4. Click **OK** to delete the group. The group name is removed from the **Group Management** Webpage and all users in the group are deleted.

## **Managing Port Access Rights for Groups**

Super administrators can manage KVM port access rights for groups from the Group Information Webpage.

Please note that you do not need to assign access rights for a group to any KVM port that cascades a KM0832. However, you must assign access rights to KVM ports that cascade non-KM0832 KVM switches. When you assign access rights to a KVM port that cascades a Matrix Plus KVM adapter cable, the access rights apply to all KVM adapter cables in the chain.

To manage KVM port access rights for a group:

1. In the **Group Management** Webpage, select a group name from the list, and then click **Modify**. The **Group Information** Webpage appears. (If you have already completed this step, skip to Step 2.)

Group Information					
Group Name: <input type="text" value="accounting"/>					
Note	Port Path	Computer / Station	Not Assigned	View Only	Full Access
WIN 2003	01		<input checked="" type="radio"/>	<input type="radio"/>	<input type="radio"/>
	02		<input checked="" type="radio"/>	<input type="radio"/>	<input type="radio"/>
	03		<input checked="" type="radio"/>	<input type="radio"/>	<input type="radio"/>
	04		<input checked="" type="radio"/>	<input type="radio"/>	<input type="radio"/>
	05		<input checked="" type="radio"/>	<input type="radio"/>	<input type="radio"/>

The **Group Information** Webpage lists all KVM ports in the installation. KVM ports, whether on the root station, daisy chained, or cascaded, are listed in order of position in the installation.

- Click to apply the type of access rights you wish to assign for the group to each KVM port.

**Group Information**

Group Name:

Note	Port Path	Computer / Station	Not Assigned	View Only	Full Access
WIN 2003	01		<input type="radio"/>	<input type="radio"/>	<input checked="" type="radio"/>
	02		<input type="radio"/>	<input type="radio"/>	<input checked="" type="radio"/>
	03		<input type="radio"/>	<input checked="" type="radio"/>	<input type="radio"/>
	04		<input type="radio"/>	<input type="radio"/>	<input checked="" type="radio"/>
	05		<input checked="" type="radio"/>	<input type="radio"/>	<input type="radio"/>

- Click **Save** to store your changes.
- To exit without saving changes, click any other menu or icon.

## User Management

---

Up to 1023 user accounts can be added to the KM0832 with no restriction on the number of any user type. Each user requires a unique user account to access the KM0832 through a KVM console or through the KM0832 Administrator Utility. Super administrators can add, modify, and delete all user types, while administrators can add, modify, and delete only other administrators and users. (An additional default super administrator account cannot be modified or deleted.) Super administrators also can login to the KM0832 Administrator Utility when all normal sessions are in use and close the session of another user.

The KM0832 requires each user to be added to a group; therefore, we suggest that you create groups before users. If you do not wish to create groups you may add users to the default group account. However, the default group account cannot be used to grant KVM port access to group members. In that case, you will need to individually add users to the KVM ports.

The User Management Webpage is similar to the Group Management Webpage. It shows all users that have been created on the KM0832 and their individual group memberships. It also provides options for creating new users and modifying or deleting existing users.

## Adding Users

To add a user account:

1. If you are not logged in to the KM0832 Administrator Utility, open the KM0832 Login page and login. The KM0832 Administrator Utility Main Screen will appear.
2. From the **Administration** menu, choose **Account Management > User Management**. If no users have been created the **No Local Users** Webpage appears. If at least one user has been created already the **User Management** Webpage appears. Click **Add** and skip to Step 4.
3. Click **New**. The **User Information** Webpage appears.

**User Information**

Username:

Password:

Confirm Password:

Super Administrator
  Administrator
  User

Group Membership:  ▼

Note	Port Path	Computer / Station	Not Assigned	No Access	View Only	Full Access
40010a	01	KM0832	<input checked="" type="radio"/>	<input type="radio"/>	<input type="radio"/>	<input type="radio"/>
40010a	02	KM0832	<input checked="" type="radio"/>	<input type="radio"/>	<input type="radio"/>	<input type="radio"/>
	03		<input checked="" type="radio"/>	<input type="radio"/>	<input type="radio"/>	<input type="radio"/>
	04		<input checked="" type="radio"/>	<input type="radio"/>	<input type="radio"/>	<input type="radio"/>

4. Type a name in the **Username** field. Usernames may be up to 15 characters long. Legal characters include: a–z, A–Z, 0–9, space, hyphen, square brackets, parentheses, and period.
5. Enter a password and then reenter the password to confirm it. Passwords may be up to 15 characters long. Legal characters include: a–z, A–Z, 0–9, space, hyphen, square brackets, parentheses, and period. This field may not be left blank.

6. Select an account type for the user. The following table shows the permissions for each account type. (Permissions apply only to the local station. For permissions in cascaded and daisy-chained stations, see *Cascaded Installations*, page 72.)

Permission	User	Administrator	Super Administrator
Access KVM ports*	•	•	•
Configure personal profile settings	•	•	•
Search	•	•	•
View online Help	•	•	•
Manage user/administrator accounts		•	•
Manage super administrator accounts			•
Manage stations		•	•
Manage KVM ports		•	•
View/clear log file		•	•
Backup/restore settings		•	•
Manage group accounts			•
Configure network settings			•
Set date and time			•
View system information			•
Upgrade firmware			•
Invoke Broadcast mode			•

---

\* Super administrators and administrators have full access to all KVM ports; however, users must be granted permission to access each KVM port.

---

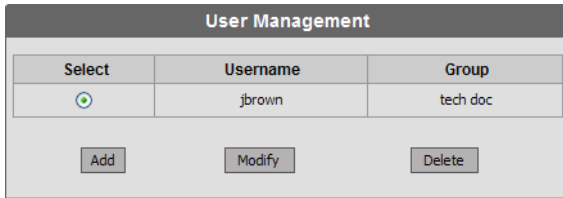
7. Select a group membership for the user. If you do not wish to create a group membership for the user, then select the default group account.

---

**Note:** Each user account can have only one group membership.

---

8. If you want to assign KVM port access rights to the user, see *Managing Port Access Rights for Users*, page 64.
9. Click **Save**. The new user is added to the **User Management** Webpage.

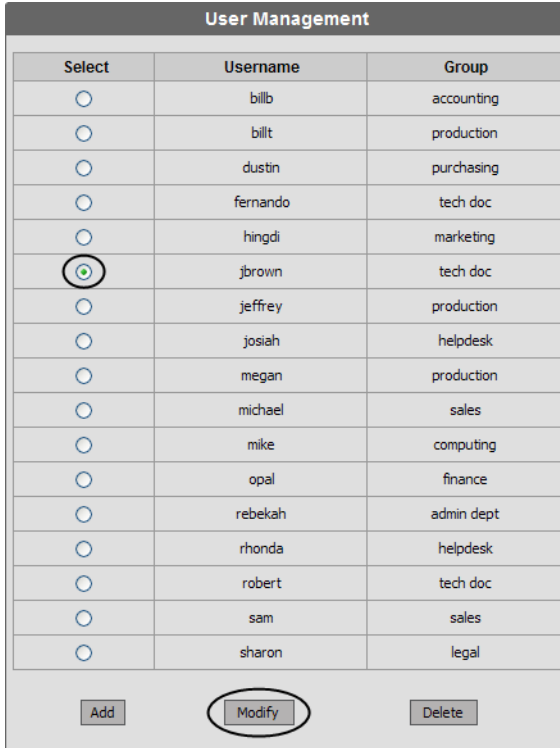


Select	Username	Group
<input checked="" type="radio"/>	jbrown	tech doc

## **Modifying Users**

To edit a user account:

1. If you are not logged in to the KM0832 Administrator Utility, open the KM0832 Login page and login. The KM0832 Administrator Utility Main Screen will appear.
2. Open the **User Management** Webpage.



The screenshot shows the 'User Management' webpage. It features a table with three columns: 'Select', 'Username', and 'Group'. The 'Select' column contains radio buttons for each user. The 'Modify' button at the bottom is circled in red, and the radio button for the user 'jbrown' is also circled in red.

Select	Username	Group
<input type="radio"/>	billb	accounting
<input type="radio"/>	billt	production
<input type="radio"/>	dustin	purchasing
<input type="radio"/>	fernando	tech doc
<input type="radio"/>	hingdi	marketing
<input checked="" type="radio"/>	jbrown	tech doc
<input type="radio"/>	jeffrey	production
<input type="radio"/>	josiah	helpdesk
<input type="radio"/>	megan	production
<input type="radio"/>	michael	sales
<input type="radio"/>	mike	computing
<input type="radio"/>	opal	finance
<input type="radio"/>	rebekah	admin dept
<input type="radio"/>	rhonda	helpdesk
<input type="radio"/>	robert	tech doc
<input type="radio"/>	sam	sales
<input type="radio"/>	sharon	legal

Buttons: Add, **Modify**, Delete

3. Select a username and click **Modify**. The **User Information** Webpage appears.
4. Edit the user account settings. (Leave the password fields blank to keep the same password.)

---

**Note:** If you modify the user's password, account type, or group membership, the user's session will be ended automatically.

---



5. Click **Save**. The user account is updated.

## Deleting Users

To delete a user account:

1. If you are not logged in to the KM0832 Administrator Utility, open the KM0832 Login page and login. The KM0832 Administrator Utility Main Screen will appear.
2. Open the **User Management** Webpage.

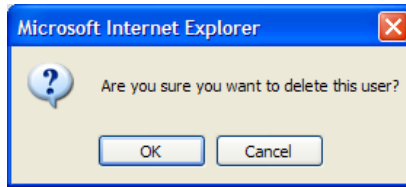


The screenshot displays the 'User Management' interface. It features a table with three columns: 'Select', 'Username', and 'Group'. The table lists 17 users. The 'Select' column contains radio buttons, with the one for 'jbrown' selected and circled in green. Below the table are three buttons: 'Add', 'Modify', and 'Delete'. The 'Delete' button is circled in black.

Select	Username	Group
<input type="radio"/>	billb	accounting
<input type="radio"/>	billt	production
<input type="radio"/>	dustin	purchasing
<input type="radio"/>	fernando	tech doc
<input type="radio"/>	hingdi	marketing
<input checked="" type="radio"/>	jbrown	tech doc
<input type="radio"/>	jeffrey	production
<input type="radio"/>	josiah	helpdesk
<input type="radio"/>	megan	production
<input type="radio"/>	michael	sales
<input type="radio"/>	mike	computing
<input type="radio"/>	opal	finance
<input type="radio"/>	rebekah	admin dept
<input type="radio"/>	rhonda	helpdesk
<input type="radio"/>	robert	tech doc
<input type="radio"/>	sam	sales
<input type="radio"/>	sharon	legal

Buttons: Add, Modify, Delete

3. Select a username and click **Delete**. The following dialog box appears:



4. Click **OK** to delete the username. The username is removed from the **User Management** Webpage.

## **Managing Port Access Rights for Users**

Super Administrators and Administrators can manage port access rights for Users from the User Information Webpage. (You do not need to assign port access rights for Super Administrators and Administrators. They have access to all KVM ports in the KM0832 installation, including those in cascaded KVM switches.)

Please note that you do not need to assign access rights for a user to any KVM port that cascades a KM0832. However, you must assign access rights to KVM ports that cascade non-KM0832 KVM switches. When you assign access rights to a KVM port that cascades a Matrix Plus KVM adapter cable, the access rights apply to all KVM adapter cables in the chain.

To manage KVM port access rights for a user:

1. In the **User Management** Webpage, select a username from the list, and then click **Modify**. The **User Information** Webpage appears.

### User Information

Username:

Password:

Confirm Password:

Super Administrator     
  Administrator     
  User

Group Membership:  ▼

Note	Port Path	Computer / Station	Not Assigned	No Access	View Only	Full Access
WIN 2003	01		<input checked="" type="radio"/>	<input type="radio"/>	<input type="radio"/>	<input type="radio"/>
	02		<input checked="" type="radio"/>	<input type="radio"/>	<input type="radio"/>	<input type="radio"/>
	03		<input checked="" type="radio"/>	<input type="radio"/>	<input type="radio"/>	<input type="radio"/>
	04		<input checked="" type="radio"/>	<input type="radio"/>	<input type="radio"/>	<input type="radio"/>

The **User Information** Webpage lists all KVM ports in the installation. KVM ports, whether on the root station, daisy chained, or cascaded, are listed in order of position in the installation.

2. Click to apply the type of access rights you wish to assign for the user to each KVM port.

### User Information

Username:

Password:

Confirm Password:

Super Administrator     
  Administrator     
  User

Group Membership:  ▼

Note	Port Path	Computer / Station	Not Assigned	No Access	View Only	Full Access
WIN 2003	01		<input type="radio"/>	<input type="radio"/>	<input type="radio"/>	<input checked="" type="radio"/>
	02		<input type="radio"/>	<input type="radio"/>	<input type="radio"/>	<input checked="" type="radio"/>
	03		<input type="radio"/>	<input type="radio"/>	<input checked="" type="radio"/>	<input type="radio"/>
	04		<input checked="" type="radio"/>	<input type="radio"/>	<input type="radio"/>	<input type="radio"/>

3. Click **Save** to store your changes.
4. To exit without saving changes, click any other menu or icon.

## Port Management

---

KM0832 port access rights for users and groups are set on a port-by-port basis, giving administrators a high degree of control over which KVM ports users can access and how they access the KVM ports. To enable users to access KVM ports, you must first configure the user access rights for each KVM port. By default, all super administrators and administrators have full access to all KVM ports.

---

**Hint:** Adding users to groups streamlines KVM port configuration by allowing you to assign port access to whole groups of users at one time.

---

In this section we will discuss how to:

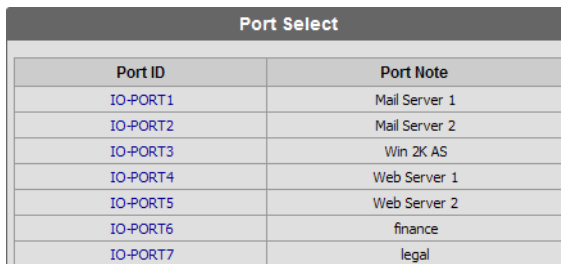
- ◆ Set port access rights for users and groups
- ◆ Configure KVM port settings and assign names to KVM ports
- ◆ Restore KVM port defaults

### Accessing Ports

All KVM ports in the station are listed on the Port Select Webpage.

To open the Port Select Webpage:

1. If you are not logged in to the KM0832 Administrator Utility, open the KM0832 Login page and login. The KM0832 Administrator Utility Main Screen will appear.
2. In the tree view, click on a station to select it.
3. From the **Administration** menu, choose **Port Management**. The **Port Select** Webpage for that station appears.



Port Select	
Port ID	Port Note
IO-PORT1	Mail Server 1
IO-PORT2	Mail Server 2
IO-PORT3	Win 2K AS
IO-PORT4	Web Server 1
IO-PORT5	Web Server 2
IO-PORT6	finance
IO-PORT7	legal

The Port Select Webpage is divided into two columns. Port IDs, or port numbers, are listed in the column on the left in ascending order. Click the port ID to access the Port Management Webpage for that KVM port. If a KVM port has been named, the name appears to the right of the port ID in the Port Note column.

## **Managing Port Access**

Each KVM port has an individual Port Management Webpage that is used to set port access rights, assign port names and configure other port settings. This also is true for KVM ports in cascaded child stations. (To add users to ports directly from the User Information page, see *Managing Port Access Rights for Users*, page 64. To add groups to ports directly from the Group Information page, see *Managing Port Access Rights for Groups*, page 56.)

To open the Port Management Webpage for a KVM port:

1. If you are not logged in to the KM0832 Administrator Utility, open the KM0832 Login page and login. The KM0832 Administrator Utility Main Screen will appear.
2. In the KM0832 tree (on the left side of the Main Webpage), click on a computer icon. Each computer icon corresponds to a KM0832 KVM port. The **Port Management** Webpage for that KVM port appears. (See page 44 for more information about using the computer icons.)

-or-

Open the **Port Select** Webpage. Go to step 3.

- In the Port ID column, click on a port ID to open the **Port Management** Webpage for that KVM port. The **Port Management** Webpage appears.

The screenshot shows the 'Port Management' interface for 'IO\_PORT1'. The 'Port Access' section is divided into two main rows of management boxes. The top row includes 'Available Users' (empty), 'No Access Users' (empty), 'View Only Users' (empty), and 'Full Access Users' (containing 'JOEL', 'dustin', and 'josiah'). The bottom row includes 'Available Groups' (containing 'accounting', 'admin dept', 'computing', 'finance', 'helpdesk', 'legal', 'marketing', 'production', 'purchasing', and 'sales'), 'View Only Groups' (empty), and 'Full Access Groups' (empty). A central column of arrows (right-pointing and left-pointing) facilitates moving users and groups between these categories. A 'Save' button is located at the bottom center of the interface.

The Port Access area of the Port Management Webpage is used to manage port access rights for users and groups. The boxes on the left side of the Webpage show all users and groups that have been created. The boxes on the right side of the Webpage govern port access rights. These boxes are discussed in the table below.

In the middle of the Webpage are five sets of arrows. Each set contains two arrows: one facing leftward (<) and the other facing rightward (>), which correspond to the boxes immediately to the left and right, respectively. Arrows are used to move users and groups from the boxes on the left into the boxes on the right and vice versa.

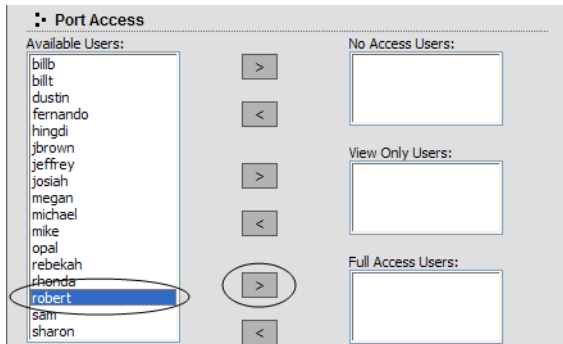
Box	Description
Available Users	Lists users who have not been assigned access rights for the KVM port.
Available Groups	Lists groups that have not been assigned access rights for the KVM port.
No Access Users	Lists users who are restricted from access to the KVM port. If a user listed in this box is a member of a group that has permission to access the KVM port, placing the user in this box restricts the user from accessing the KVM port.
View Only Users	Lists users who are permitted to view video from the KVM port.
Full Access Users	Lists users who are permitted both to view video from the KVM port and to control it. If the KVM port cascades a KVM switch, the user will not be able to access KVM ports on that station until granted access rights to the individual KVM ports.
View Only Groups	Lists groups that are permitted to view video from the KVM port.
Full Access Groups	Lists groups that are permitted both to view video from the KVM port and to control it. If the KVM port cascades a KVM switch, the group will not be able to access the KVM ports of that station until granted access rights to the individual KVM ports.

- 
- Note:**
1. You cannot add more than 32 users and 32 groups to a KVM port. If you need to add more than 32 users to a KVM port, first add the users to groups and then add those groups to the KVM port.
  2. If a user is granted both user and group access rights to the same KVM port, the user access rights will be applied and not those of the group.
-



To grant port access rights to users or groups:

1. If you are not logged in to the KM0832 Administrator Utility, open the KM0832 Login page and login. The KM0832 Administrator Utility Main Screen will appear.
2. Open the **Port Management** Webpage for the KVM port where you wish to grant access rights.

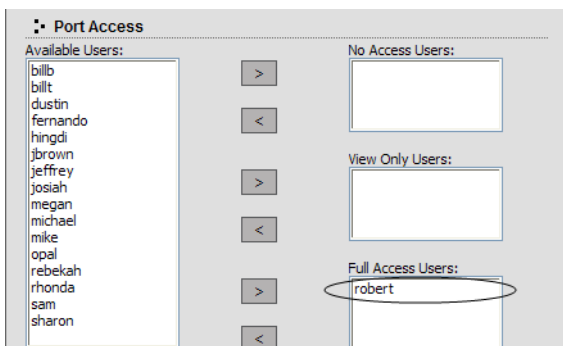


3. In the **Available Users** box, click on a username to highlight it.

-or-

In the **Available Groups** box, click on a group name to highlight it.

Click the appropriate rightward facing arrow (>) to move the selected user (or group) to the box on the right that corresponds to the access rights that you wish to grant to the user (or group). The user (or group) appears in the access rights box.



Repeat Steps 2 and 3 until you have assigned port access rights (or restrictions) for all users and groups.

If you make a mistake by adding a user or group to the wrong access rights box, simply highlight the username (or group name) again and then click the corresponding leftward facing arrow. The selected user (or group) is removed from the box and put back into its former position.

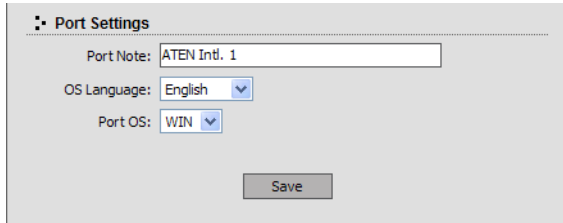
4. Click **Save**. The selected users (or groups) are given the permissions that were assigned in the last step.

## **Cascaded Installations**

Super administrators and administrators have full access to all KVM ports in the installation. You must assign access rights to KVM ports for all other users and groups. You do not need to assign access rights for users and groups to any KVM port that cascades a KM0832. However, you must assign access rights to KVM ports that cascade non-KM0832 KVM switches. When you assign access rights to a KVM port that cascades a Matrix Plus KVM adapter cable, the access rights apply to all KVM adapter cables in the chain.

## **Configuring Port Settings**

Before you configure port settings, first verify that the KVM adapter cable for the KVM port you wish to configure is connected to the correct KVM port on the back panel of the KM0832. The fields in the lower section of the Port Management Webpage are described in the table on the following page.



The screenshot shows a web interface for configuring port settings. It features a title bar with a plus icon and the text "Port Settings". Below the title bar, there are three configuration fields: "Port Note" with a text input field containing "ATEN Intl. 1", "OS Language" with a dropdown menu set to "English", and "Port OS" with a dropdown menu set to "WIN". A "Save" button is located at the bottom center of the form.

Field	Value
Port Note	ATEN Intl. 1
OS Language	English
Port OS	WIN

Field	Description
Port Note	<p>Type a name in the <b>Port Note</b> field. Port notes may be up to 15 characters long. Legal characters include: a–z, A–Z, 0–9, space, and hyphen. Enter a unique note for the port that will differentiate it from all other ports in the KVM installation. The port note will appear on the Port Status and Port Select Webpages, in the KM0832 tree next to the computer icon, and in the OSD.</p> <p><b>Note:</b> Adding spaces to the port note will cause it to display on multiple lines in the tree in some Web browsers.</p> <ul style="list-style-type: none"> <li>◆ If the KVM port cascades a KM0832, the port note is replaced by the station name of the cascaded KM0832. To modify station names, see <i>Naming Stations</i>, page 46.</li> <li>◆ If a non-KM0832 KVM switch or a computer is connected to the KVM port by a KVM adapter cable, the port note can be changed. If the position of the KVM switch or the computer in the KVM installation ever changes, the port note for the new KVM port will automatically change to the port note stored in the KVM adapter cable. However, the port note for the old KVM port must be erased manually.</li> <li>◆ If nothing is connected to the KVM port, the port note can be changed. However, if a cascaded KVM switch or KVM adapter cable is attached to the port later, the port note will change to the port note stored in the KVM adapter cable.</li> </ul>
Keyboard Layout (OS Language)	<p>Set the layout of the keyboard(s) that will be used to access the computer attached to this port. The KM0832 supports 3 keyboard layouts: U.S. English, Japanese, and French. Configuring this setting correctly will ensure that characters are entered correctly and that the special keys on Japanese keyboards work correctly (if applicable).</p>
Keyboard (Port OS)	<p>Set the model of the keyboard(s) that will be used to access the computer attached to this port. The KM0832 supports 3 keyboard models: IBM PC (101/104 keys), Apple, and Sun. Configuring this setting correctly will ensure that the special keys on Apple and Sun keyboards work correctly (if applicable).</p>

## **Restoring KVM Port Defaults**

Clicking the Restore Defaults button at the bottom of the Port Select Webpage restores KVM port defaults. When restoring KVM port defaults, port access rights are revoked for users and groups, port notes and personal view shortcuts are removed, and the Port Operating System and Port Language settings are restored to the original factory default settings. (See *Factory Default Settings*, page 136.)

In cascaded installations, you can restore KVM port defaults for up to 2 levels of KVM switches at a time. If you want to restore KVM port defaults for more than two levels of KVM switches, repeat this procedure for each third-level KVM switch for which you wish to restore KVM port defaults. KVM port defaults will be restored for any fourth-level KVM switches at the same time.

In daisy-chained installations, you can restore KVM port defaults one station at a time.

To restore KVM port defaults:

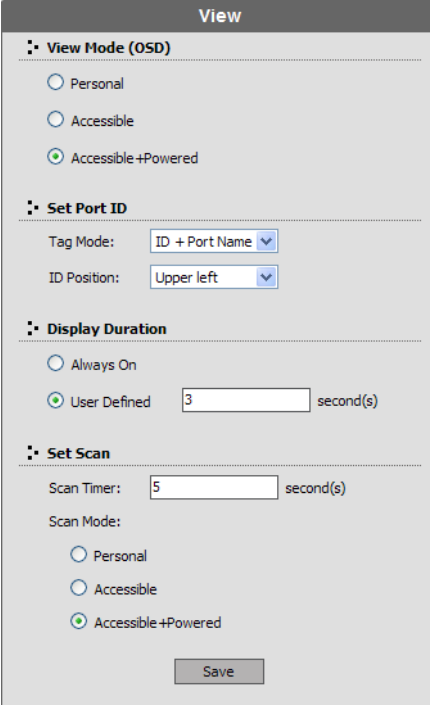
1. If you are not logged in to the KM0832 Administrator Utility, open the KM0832 Login page and login. The KM0832 Administrator Utility Main Screen will appear.
2. In the tree view, click on the station for which you want to restore KVM port defaults to select it.
3. From the **Administration** menu, choose **Port Management**. The **Port Select** Webpage for that station appears.
4. Click **Restore Defaults**. The KVM port defaults are restored for the selected station (and one additional level of cascaded KVM switches, if applicable).

## Setting the OSD View

After you create accounts for users, those users can login to the KM0832 Administrator Utility. From there, they can set the OSD view settings for their accounts. This includes selecting the KVM ports that will appear in the OSD port list; the type, position and duration of the port ID display; and the scan mode and scan duration. (The OSD is discussed in Chapter 4.)

To open the View Webpage:

1. If you are not logged in to the KM0832 Administrator Utility, open the KM0832 Login page and login. The KM0832 Administrator Utility Main Screen will appear.
2. Click the **View** menu. The **View** Webpage appears.



The screenshot shows a web interface titled "View" with several sections for configuring OSD settings:

- View Mode (OSD)**: Three radio buttons are present: "Personal", "Accessible", and "Accessible +Powered". The "Accessible +Powered" option is selected.
- Set Port ID**: Two dropdown menus are shown. "Tag Mode" is set to "ID + Port Name" and "ID Position" is set to "Upper left".
- Display Duration**: Two radio buttons are present: "Always On" and "User Defined". The "User Defined" option is selected, with a text input field containing the number "3" followed by the text "second(s)".
- Set Scan**: A text input field for "Scan Timer" contains the number "5" followed by "second(s)". Below it, "Scan Mode" has three radio buttons: "Personal", "Accessible", and "Accessible +Powered". The "Accessible +Powered" option is selected.

A "Save" button is located at the bottom center of the form.

## View Mode

Many of the OSD functions only operate on the computers that are currently listed (displayed) on the OSD main screen. Use this function to broaden or narrow the scope of KVM ports that are listed. The submenu choices and their meanings are given in the table below:

Choice	Meaning
Personal	The OSD lists the KVM ports that the user has set as personal. See <i>SET PERSONAL VIEW</i> on page 107.
Accessible	The OSD lists only those KVM ports that the user is permitted to access. See <i>Managing Port Access</i> on page 68.
Accessible + Powered	The OSD lists only those KVM ports that the user is permitted to access and that have their attached computers powered on.

## Set Port ID

When a user switches KVM ports from the OSD, a port ID is shown. The table below explains the choices:

Choice	Meaning
Tag Mode	Selects how the port ID is displayed: the port number alone ( <b>ID</b> ); the port note alone ( <b>Port Name</b> ); or the port number plus the port note ( <b>ID + Port Name</b> ). The default is ID + Port Name.
ID Position	Allows you to position where the port ID appears on the monitor. The default is the upper left corner, but you can make it appear anywhere on the screen. If the ID Position is Other, it cannot be changed.

## Display Duration

Display duration determines the length of time that the port ID displays on the screen after a KVM port change. The table below explains the choices:

Choice	Meaning
Always On	Displays the port ID at all times.
User Defined	Lets you select the amount of time (from 1–240 seconds). The default is 3 seconds. A value of 0 (zero) disables this function.

## Set Scan

Select the KVM ports that are viewed under Auto Scan mode and the duration of time that they receive the KVM focus.

Setting	Function
Scan Timer	Determines how long the KVM focus dwells on each KVM port as it cycles through the selected KVM ports in Auto Scan mode (see <i>F7 SCAN</i> , page 121). Enter a value from 0–240 seconds. The default is 5 seconds. Entering 0 will cause the KM0832 to automatically enter Skip mode when Auto Scan mode is invoked.
Scan Mode	Selects which computers will be accessed under Auto Scan mode (see <i>F7 SCAN</i> , page 121). Choices are: <b>Personal</b> —only those KVM ports that the user has set as personal. See <i>SET PERSONAL VIEW</i> on page 107. <b>Accessible</b> —only those KVM ports that the user is permitted to access. See <i>Managing Port Access</i> on page 68. <b>Accessible + Powered</b> —only those KVM ports that the user is permitted to access and that have their attached computers powered on. The default is Accessible + Powered.

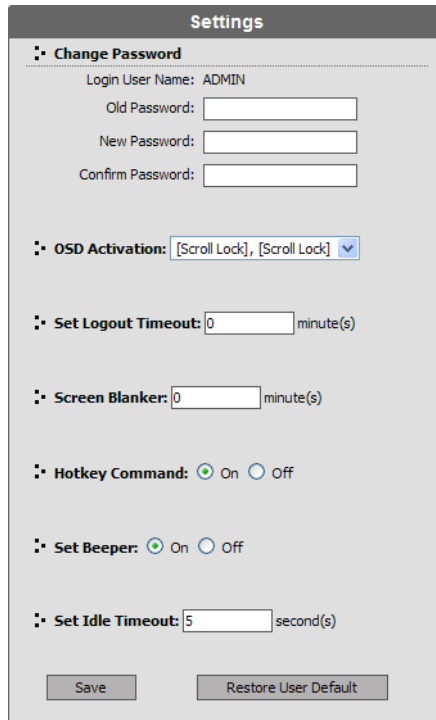


## Configuring OSD User Settings

This function allows the user to change the account password and set up a unique working environment. A separate profile for each user is stored by the OSD and is activated according to the username that is provided during login.

To open the Settings Webpage:

1. If you are not logged in to the KM0832 Administrator Utility, open the KM0832 Login page and login. The KM0832 Administrator Utility Main Screen will appear.
2. Click the **Settings** menu. The **Settings** Webpage appears. (The Settings Webpage fields are described in the table on the following page.)



The screenshot displays the 'Settings' webpage with the following configuration options:

- Change Password**
  - Login User Name: ADMIN
  - Old Password:
  - New Password:
  - Confirm Password:
- OSD Activation:** [Scroll Lock], [Scroll Lock] ▼
- Set Logout Timeout:** 0 minute(s)
- Screen Blanker:** 0 minute(s)
- Hotkey Command:**  On  Off
- Set Beeper:**  On  Off
- Set Idle Timeout:** 5 second(s)

At the bottom of the settings panel, there are two buttons: 'Save' and 'Restore User Default'.

Setting	Function
Change Password	Enter the old account password. Enter a new password, and then reenter the password to confirm it. Blank passwords are permitted. Or, do not enter anything to leave the password unchanged.
OSD Activation	<p>Selects which Hotkey activates the OSD function: [Scroll Lock] [Scroll Lock] or [Ctrl] [Ctrl].</p> <p>Since the Ctrl key combination may conflict with programs running on the computers, the default is the Scroll Lock combination.</p>
Set Logout Timeout	This function allows you to specify the number of minutes to elapse before an inactive user is timed out of the OSD. If there is no input from the user for the specified amount of time, the user will be logged out automatically. Enter a value from 1–180 minutes, then click <b>Save</b> . A value of 0 disables this function. The default is 0 (disabled).
Screen Blanker	If there is no input from the KVM console for the amount of time set with this function, the screen is blanked. Enter a value from 1–30 minutes, then click <b>Save</b> . A value of 0 disables this function. The default is 0 (disabled).
Hotkey Command	Enables / Disables the Hotkey Command function in case a conflict with programs running on the computers occurs. The default is enabled.
Set Beeper	When set to ON, the beeper sounds whenever the KVM port is switched, when activating the Auto Scan mode (see page 121), or when an invalid entry is made on an OSD menu. The default is ON.
Set Idle Timeout	<p>If there is no input from the KVM console accessing a particular KVM port for the amount of time set with this function, the KVM port is released, allowing it to be accessed by the other KVM consoles.</p> <p>To set the Idle Timeout value, enter a value from 0–240 seconds, then click <b>Save</b>.</p> <p>A value of 0 disables the Idle Timeout function. The default value is 5 seconds.</p>
Restore User Default	Restores the original factory default settings for <b>View Mode (OSD)</b> , <b>Set Port ID</b> , <b>Display Duration</b> , <b>Set Scan</b> , <b>OSD Activation</b> , <b>Set Logout Timeout</b> , <b>Screen Blanker</b> , <b>Hotkey Command</b> , <b>Set Beeper</b> , and <b>Set Idle Timeout</b> .

---

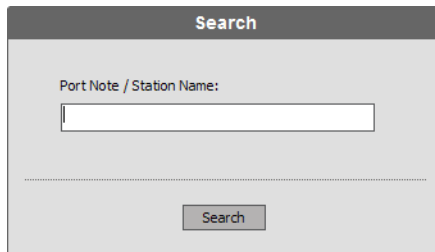
## Searching for Ports and Stations

---

You can search for KVM ports and cascaded stations in the KVM installation by typing all (or part) of the port or station name.

To search for a KVM port:

1. If you are not logged in to the KM0832 Administrator Utility, open the KM0832 Login page and login. The KM0832 Administrator Utility Main Screen will appear.
2. Click the **Search** menu. The **Search** Webpage opens.



The screenshot shows a web interface titled "Search". It features a text input field labeled "Port Note / Station Name:" with a cursor inside. Below the input field is a "Search" button. A horizontal dotted line is positioned above the button.

3. Type a port note or station name in the **Port Note/Station Name** field. Legal characters include: a–z, A–Z, 0–9, space, and hyphen. If you do not enter any characters, all KVM ports in the installation will be returned.
4. Click **Search**. All entries that match or contain the search term(s) appear in a list.

## Upgrading Firmware

---

Super administrators can upgrade firmware for KM0832 Matrix KVM Switches, attached console modules (except KA9233), KVM adapter cables, and Matrix Plus KVM adapter cables. (To upgrade firmware for KVM switches and console modules not mentioned above, refer to the user manuals for those devices.) As new versions of the KM0832 firmware become available, they can be downloaded from our Website. Check the Website regularly to find the latest information and firmware upgrade packages.

### **Downloading the Firmware Upgrade Package**

To download the firmware upgrade package:

1. From a computer that is not part of your KVM installation go to our Website and choose the model name that relates to your device. A list of available firmware upgrade packages appears.
2. Choose the firmware upgrade package that you wish to install (usually the most recent) and download it to your computer. There may be two different firmware upgrade packages available for each firmware version:
  - ◆ If you want to upgrade the firmware for all possible devices in the installation, choose a firmware upgrade package with an FW extension. (See *Upgrading Firmware via the KM0832 Administrator Utility*, page 83, to use this firmware upgrade package to upgrade the firmware.)
  - ◆ If you want to upgrade the firmware for the first-level (root) KM0832 only, choose a firmware upgrade package with an EXE extension (the Firmware Upgrade Utility). Use this firmware upgrade package in single-level installations and when recovering from a failed firmware upgrade. (See *Upgrading Firmware via the Firmware Upgrade Utility*, page 85, to use this firmware upgrade package to upgrade the firmware.)

### **Preparing to Upgrade the Firmware**

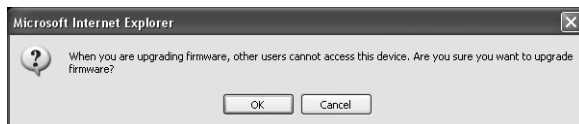
To prepare to upgrade the firmware:

- ◆ Notify all users to logout of the OSD and the KM0832 Administrator Utility.
- ◆ Ensure that all computers are powered on; otherwise, some KVM adapter cables may not be upgraded. (Disregard this if you are using the Firmware Upgrade Utility to upgrade the firmware.)

## Upgrading Firmware via the KM0832 Administrator Utility

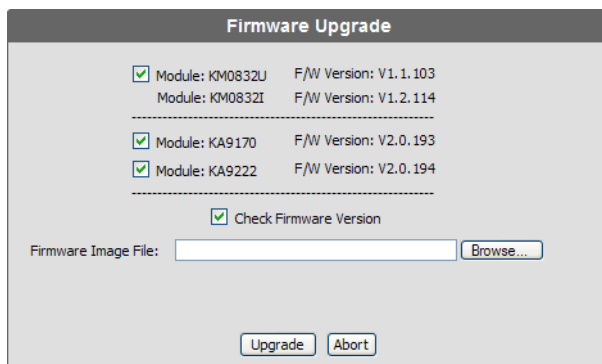
To upgrade the firmware for all possible devices in the KVM installation:

1. From the computer that was used to download the firmware upgrade package, open a Web browser and login to the KM0832 Administrator Utility (see *Logging In*, page 40).
2. Click the **Upgrade** icon. The following dialog box appears:



3. Click **OK** to enter Firmware Upgrade mode. This may take a few minutes while the system prepares to upgrade the firmware. Users with active sessions in the OSD will be informed that they should logout. (Some KVM consoles may be automatically logged out.)

After a few minutes, the **Firmware Upgrade** Webpage appears. It displays the current firmware version(s) of the KM0832 and other module(s).



4. Select the check box for each module that you wish to upgrade. Or, click to clear the check box for each module that you do not wish to upgrade.
5. Click **Browse**. The **Choose file** dialog box appears.
6. Navigate to the directory where the new firmware upgrade package file was saved, select the file, and click **Open**. The path and filename appear in

the **Firmware Image File** field. (If you have not yet downloaded the firmware upgrade package, see *Downloading the Firmware Upgrade Package*, page 82.)

7. Decide whether to check the firmware version level.
  - ◆ If you select Check Firmware Version, the KM0832 Administrator Utility compares the firmware level of the KM0832 with that of the upgrade files. If it finds that the current firmware version of the KM0832 is equal or higher, the firmware upgrade is aborted and the KM0832 automatically resets and returns to the login screen.
  - ◆ If you do not select Check Firmware Version, the Utility installs the upgrade files without comparing the version levels.
8. Click **Upgrade** to begin upgrading the firmware.

-or-

Click **Abort** to cancel the firmware upgrade. The KM0832 will automatically reboot, requiring you to login again.

---

**Note:** It takes approximately 7 minutes to upgrade the firmware for a single level installation, or 17 minutes for a cascaded installation. Please be patient while the firmware is upgrading.

---

9. After the firmware upgrade completes, the KM0832 automatically resets and returns to the login screen.

## Upgrading Firmware via the Firmware Upgrade Utility

Before starting the Firmware Upgrade Utility, ensure that both the host computer and first-level KM0832 lie within the same subnet and are not physically separated by a router, gateway, or firewall. (If you have not yet downloaded the firmware upgrade package, see *Downloading the Firmware Upgrade Package*, page 82.)

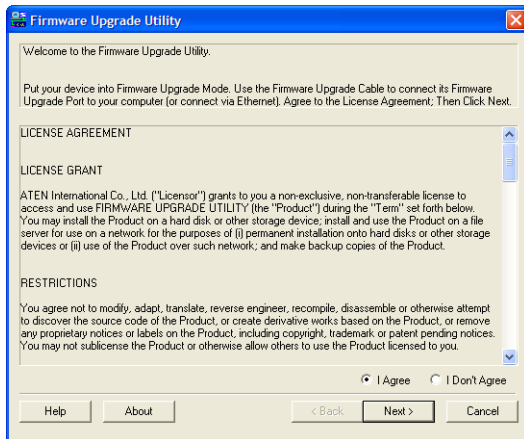
---

**Note:** This procedure will not upgrade firmware for cascaded KM0832, console modules, or KVM adapter cables.

---

To use the Firmware Upgrade Utility to upgrade the firmware:

1. Double-click the **KM0832 Firmware Upgrade Utility** icon. The **Firmware Upgrade Utility** welcome screen appears.

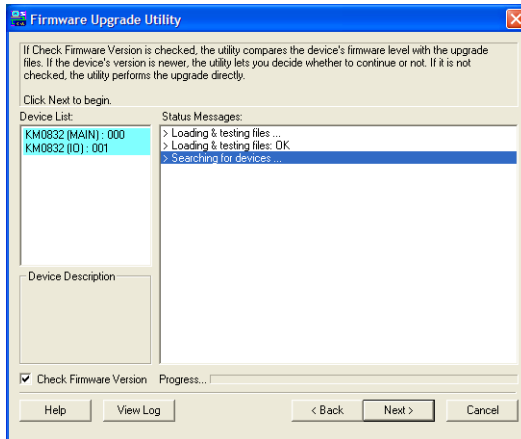


2. Read the license agreement, and then click **I Agree**.

- Click **Next** to continue. If multiple master (first-level) stations lie within the subnet, the **Select Master Device** dialog box appears.



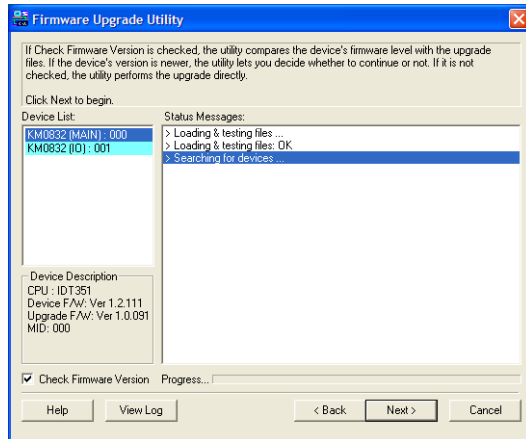
- Select the KM0832 for which you wish to reinstall the firmware, and then click **OK**. The **Firmware Upgrade Utility** main screen appears.



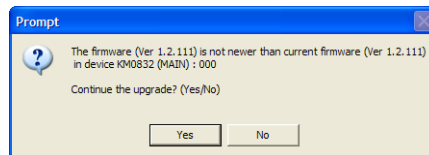
The utility inspects your installation. All devices capable of being upgraded by the package are listed in the **Device List** box.



5. Select a device in the **Device List** box to display information about it in the **Device Description** panel.



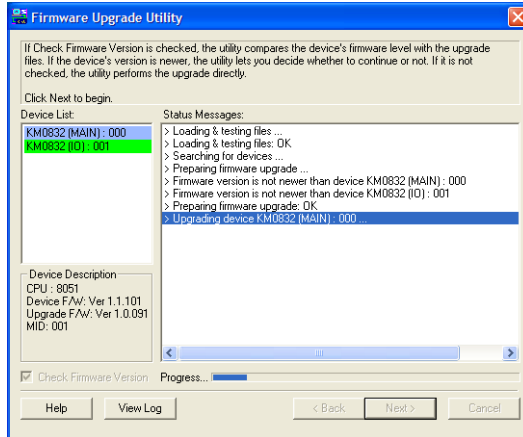
6. Select the **Check Firmware Version** check box if you wish to compare the current firmware version level of the KM0832 to that of the Firmware Upgrade Utility installation files. Click **Next** to begin reinstalling the firmware. If the KM0832's firmware version level is equal to or higher than that of the installation files, the following dialog box appears to give you the option to abort the operation:



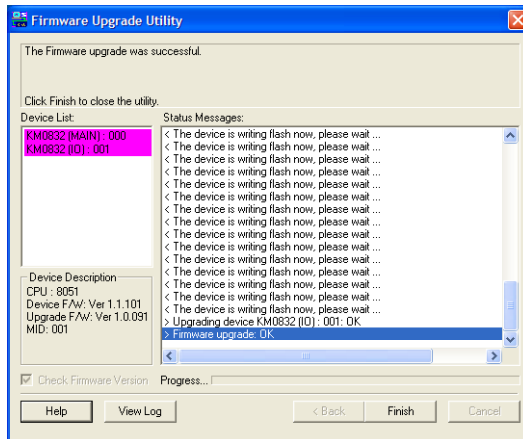
7. Click **Yes** to begin reinstalling the firmware; or, click **No** to abort the operation.

If you chose not to check the firmware version, the Firmware Upgrade Utility installs the upgrade files without comparing the firmware version levels.

8. As the upgrade proceeds, status messages appear in the **Status Messages** box, and the progress toward completion is shown on the **Progress** bar.



9. After the upgrade has been completed, a screen appears to inform you that the procedure was successful:



10. Click **Finish** to close the Firmware Upgrade Utility.

After a successful reinstallation, the KVM switches exit Firmware Upgrade mode.

## **Upgrade Failed**

If a device fails to complete the upgrade successfully, start the firmware upgrade procedure again. If the KM0832 becomes inoperable after a failed firmware upgrade, follow the procedure to recover from a failed firmware upgrade.

## **Recovering from a Failed Firmware Upgrade**

If a firmware upgrade procedure is aborted prematurely (due to a power outage, for example), the KVM switch that was being upgraded at the time may become inoperable and may be incapable of accepting a normal firmware upgrade. Follow this procedure to recover from the failed firmware upgrade.

To recover from a failed firmware upgrade:

1. Power off the first-level KM0832. Do not power off the cascaded and daisy-chained KVM switches (if applicable).
2. Locate the F/W UPGRADE switch on the back panel of the KM0832. Slide the switch to the RECOVER position.
3. Power on the first-level KM0832.
4. Upgrade the firmware using the Firmware Upgrade Utility.  
(See *Upgrading Firmware via the Firmware Upgrade Utility*, page 85.)
5. When the firmware upgrade recovery completes, the KM0832 will issue a single continuous beep.
6. Slide the F/W UPGRADE switch to the NORMAL position. The beep will stop.
7. Power off the first-level KM0832, wait 5 seconds, and then power it on again.
8. Upgrade the firmware to the latest firmware version. (See *Upgrading Firmware via the KM0832 Administrator Utility*, page 83.) If you already upgraded to the latest firmware version in Step 4, you do not need to upgrade the firmware again.

## **Replacing the Root KM0832 with a Child KM0832**

---

If you replace the root (first-level) KM0832 with a child (lower-level) KM0832, the new root KM0832 will ask you to confirm whether you want to keep the system settings of the previous root KM0832. If you choose to keep the settings, all groups, users, and port notes will be retained. However, some system settings such as date, time, station name, and Webpage Session Timeout may be lost. If you choose to discard the settings, the KM0832 will return to the original factory default settings. The KM0832 cannot be accessed until you have completed this procedure.

To replace the root KM0832 with a child KM0832:

1. Login to the KM0832 Administrator Utility. A Webpage appears that asks you to confirm whether you want to keep the system settings.
2. Click **Yes** to keep the system settings of the previous root KM0832.  
-or-  
Click **No** to discard the system settings and return to the original factory default settings.
3. The KM0832 automatically resets and returns to the login screen. Now you may access the KM0832.

---

## Backing Up and Restoring Settings

---

Super administrators and administrators can backup KM0832 system settings to a file and later restore them to the system.

We suggest that you backup system settings:

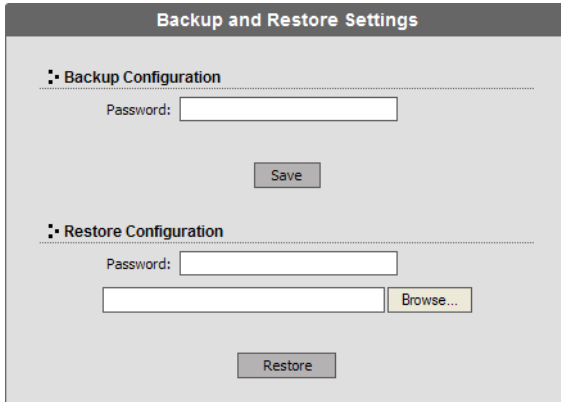
- ◆ before making changes.
- ◆ if you install multiple KM0832 in separate installations and you want to use the same settings.
- ◆ if the KM0832 has a problem and needs to be replaced.
- ◆ when upgrading to a newer version of the KM0832.

Routine backups can speed recovery should you ever have a complete system failure and need to reinstall the firmware.

Action	Description
Backup	Backs up root station settings, user and group accounts, user profiles, port access rights, and shortcuts.
Restore	Deletes the current root station settings, user and group accounts, user profiles, port access rights, and shortcuts and restores those saved in the configuration backup file.

To back up system settings:

1. If you are not logged in to the KM0832 Administrator Utility, open the KM0832 Login page and login. The KM0832 Administrator Utility Main Screen will appear.
2. Click the **Backup** icon. The **Backup and Restore Settings** Webpage appears.



The screenshot shows a web interface titled "Backup and Restore Settings". It is divided into two sections: "Backup Configuration" and "Restore Configuration".

- Backup Configuration:** Contains a "Password:" label followed by a text input field. Below the field is a "Save" button.
- Restore Configuration:** Contains a "Password:" label followed by a text input field. Below this field is another text input field, followed by a "Browse..." button. At the bottom of this section is a "Restore" button.

3. Under **Backup Configuration**, enter a password for the backup configuration file if you want password protect it; otherwise, leave this field blank. There are no restrictions on characters that can be used in passwords.
4. Click **Save**. The **File Download** dialog box appears.
5. Click **Save**. The **Save As** dialog box appears.
6. Navigate to the directory where you want to save the file and click **Save**. The backup configuration file is saved in the directory.

To restore system configurations:

1. If you are not logged in to the KM0832 Administrator Utility, open the KM0832 Login page and login. The KM0832 Administrator Utility Main Screen will appear.
2. Click the **Backup** icon. The **Backup and Restore Settings** Webpage appears.
3. Under **Restore Configuration**, enter the password that you used to password protect the backup configuration file. If you did not password-protect the file leave this field blank.
4. Click **Browse**. The **Choose file** dialog box appears.
5. Navigate to the directory where the configuration backup file was saved and select the file. The path and filename appear in the field.
6. Click **Restore**. The backup configuration file settings replace all current settings. When the configurations are finished restoring the KM0832 will reboot. A message will be sent to OSD users with active sessions to notify them that configurations are being restored and that the system will reboot.

## Viewing and Ending User Sessions

The KM0832 lists all users who are currently logged in to the KM0832 Administrator Utility and OSD and shows details about their sessions. If a user account is misused, or if another user needs to login to the KM0832 Administrator Utility, super administrators can view and end the sessions of other super administrators, administrators and users. Super administrators also can login to the KM0832 Administrator Utility when all sessions are in use and close the session of another user.

The first 7 users to login to the KM0832 Administrator Utility have normal access, that is, they may use all features permitted by their account settings. Once 7 users are logged in at the same time, super administrators have provisional access in order to close the sessions of other users. (Provisional access expires after 10 minutes.) The maximum number of users that can login to the KM0832 Administrator Utility at the same time is 16.

To view current user sessions:

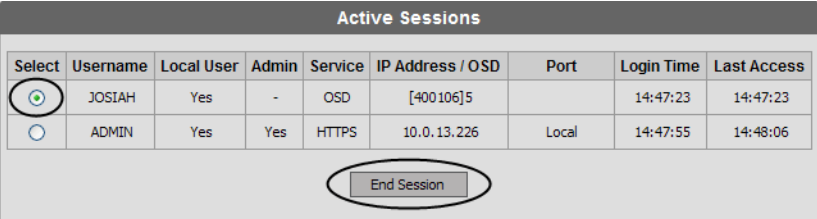
1. If you are not logged in to the KM0832 Administrator Utility, open the KM0832 Login page and login. The KM0832 Administrator Utility Main Screen will appear.
2. Click the **Session** icon. The **Active Sessions** Webpage appears. It displays information about the users who have active sessions in the KM0832 Administrator Utility.

Active Sessions								
Select	Username	Local User	Admin	Service	IP Address / OSD	Port	Login Time	Last Access
<input checked="" type="radio"/>	JOSIAH	Yes	-	OSD	[400106]5		14:47:23	14:47:23
<input type="radio"/>	ADMIN	Yes	Yes	HTTPS	10.0.13.226	Local	14:47:55	14:48:06



To end a user session:

1. If you are not logged in to the KM0832 Administrator Utility, open the KM0832 Login page and login. The KM0832 Administrator Utility Main Screen will appear.
2. Click the **Session** icon. The **Active Sessions** Webpage appears.



Active Sessions								
Select	Username	Local User	Admin	Service	IP Address / OSD	Port	Login Time	Last Access
<input checked="" type="radio"/>	JOSIAH	Yes	-	OSD	[400.106]5		14:47:23	14:47:23
<input type="radio"/>	ADMIN	Yes	Yes	HTTPS	10.0.13.226	Local	14:47:55	14:48:06

3. Select the user whose session you wish to end, and then click **End Session**. The user is logged out of the KM0832 and the username no longer appears on the Active Sessions Webpage.

Repeat Step 3 for each user that you want to logout of the KM0832.

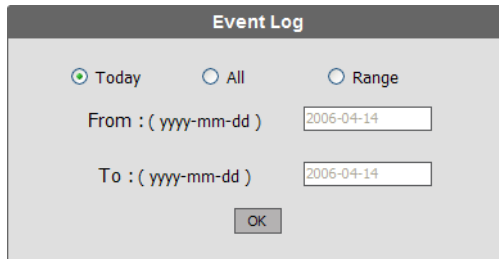
## Viewing and Clearing the Log File

---

The log file is a record of events that happen in the KM0832 Administrator Utility. It records events such as system boot up and when important administrative changes are made. Each entry is recorded with the date and time that the event happened. User logins and logouts are also recorded, and in addition to the date and time, also include the user's username and IP address. Only super administrators and administrators can view and clear the log file.

To view the log file:

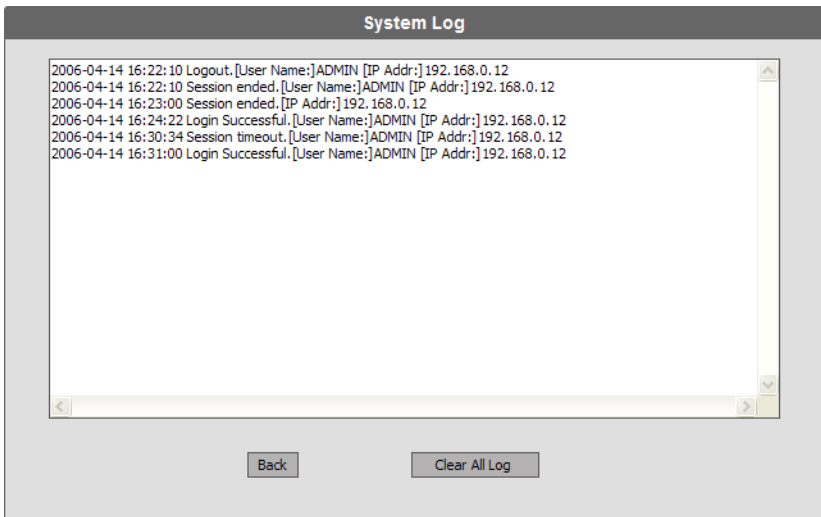
1. If you are not logged in to the KM0832 Administrator Utility, open the KM0832 Login page and login. The KM0832 Administrator Utility Main Screen will appear.
2. Click the **Log** icon. The **Event Log** Webpage appears.



The screenshot shows a dialog box titled "Event Log". At the top, there are three radio button options: "Today" (which is selected), "All", and "Range". Below these options are two text input fields. The first field is labeled "From : ( yyyy-mm-dd )" and contains the date "2006-04-14". The second field is labeled "To : ( yyyy-mm-dd )" and also contains the date "2006-04-14". At the bottom center of the dialog box is an "OK" button.

3. Select one of the following three ways to view log file events:
  - ◆ **Today:** Select this option to view only events that happened today.
  - ◆ **All:** Select this option to view all events in the log file.
  - ◆ **Range:** Select this option to view events that happened over a period of one or more days. Enter the beginning date in the *From* field and the ending date in the *To* field. Enter the date in Arabic numerals, year first, then the month, followed by the day. The year must carry four digit places, while the month and day each must carry two digit places. The year, month, and day each must be separated by a hyphen. For example, December 5th, 2005, should be written *2005-12-05*.

4. Click **OK**. The **System Log** Webpage appears.



Each line in the log file is a record of an event that occurred in the KM0832 Administrator Utility during the period of time that you specified on the Event Log Webpage. The log file keeps up to 4096 events in memory. Once that amount is reached, the oldest events are discarded as new events are recorded.

---

**Note:** In the case that an unforeseen event happens, such as a power outage, if the log file is full at the time, when the KM0832 is restarted the log file will only show the most recent 2048 lines.

---

5. Click **Back** to return to the **Event Log** Webpage.

To clear the contents of the log file:



If you delete the contents of the log file you cannot recover them; however, this will not affect future log events.

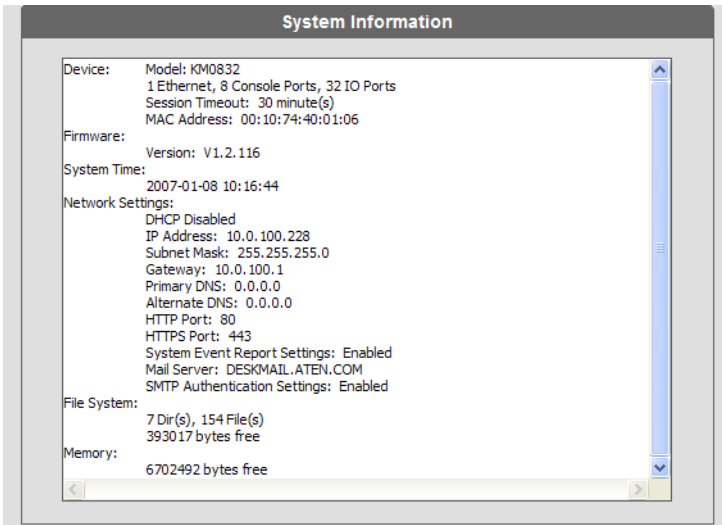
1. Follow Steps 1–4 for viewing the log file.
2. At the bottom of the **System Log** Webpage, click **Clear All Log**. All events in the log file are deleted.

## Viewing System Information

Super administrators can view information about the KM0832 through the System Information Webpage. It displays the current firmware version(s) of the KM0832 and attached modules, the system time, the network settings, and the file system.

To view system information:

1. If you are not logged in to the KM0832 Administrator Utility, open the KM0832 Login page and login. The KM0832 Administrator Utility Main Screen will appear.
2. From the **Administration** menu, choose **Super Adm Configuration > System Information**. The **System Information** Webpage appears.



The screenshot shows the 'System Information' webpage with the following details:

- Device:** Model: KM0832, 1 Ethernet, 8 Console Ports, 32 IO Ports, Session Timeout: 30 minute(s), MAC Address: 00:10:74:40:01:06
- Firmware:** Version: V1.2.116
- System Time:** 2007-01-08 10:16:44
- Network Settings:** DHCP Disabled, IP Address: 10.0.100.228, Subnet Mask: 255.255.255.0, Gateway: 10.0.100.1, Primary DNS: 0.0.0.0, Alternate DNS: 0.0.0.0, HTTP Port: 80, HTTPS Port: 443, System Event Report Settings: Enabled, Mail Server: DESKMAIL.ATEN.COM, SMTP Authentication Settings: Enabled
- File System:** 7 Dir(s), 154 File(s), 393017 bytes free
- Memory:** 6702492 bytes free

Note	Port Path	Station ID	Computer/Station	Firmware
KM0832-01	R	0x400106	KM0832	V1.2.116
	R-MAIN			V1.2.116
	R-UART			V1.1.104
	R-Console5		KA9222	V2.1.203

3. If you are not able to view some of the information, use the scroll bar to scroll down until you can view it.

## Viewing Help

---

Most KM0832 Administrator Utility functions are described in Help.

To open the help file:

1. If you are not logged in to the KM0832 Administrator Utility, open the KM0832 Login page and login. The KM0832 Administrator Utility Main Screen will appear.
2. Click the **Help** icon. The **KM0832 Help** appears.

## Logging Out

---

Click the **Logout** icon to end sessions in the KM0832 Administrator Utility. If a user closes the browser without first logging out, the user's session will remain active for 5 minutes, after which time it will be ended automatically. For security reasons we recommend that you either close your Web browser or clear the browser cache after logging out.

This Page Intentionally Left Blank

# Chapter 5

## OSD Operation

### OSD Overview

---

The KM0832 OSD provides a visual, menu-driven, mouse-enabled, interface that offers quick and convenient computer access and control, as well as efficient system administration including user management (access rights, passwords, etc.). Changes made in the OSD are reflected in the KM0832 Administrator Utility and vice-versa.

Each OSD menu option activates a function that configures and controls the operation of the KVM installation. All procedures start from the OSD main screen.

To open the OSD main screen:

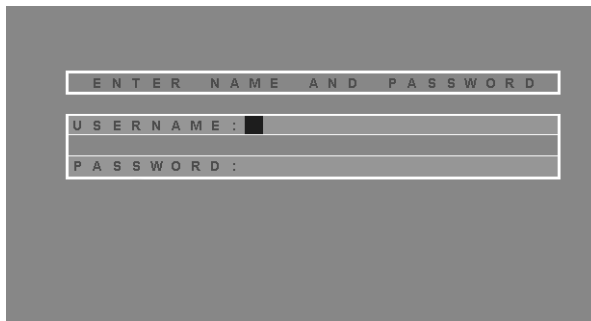
1. Tap the **Scroll Lock** key twice.

---

**Note:** [Scroll Lock] is the default OSD hotkey. You can optionally change the Hotkey to the Ctrl key (see *OSD ACTIVATION*, p. 109, for details).

---

The login screen appears:

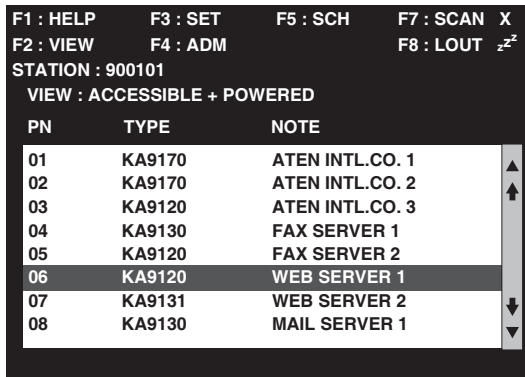


2. Key in a valid username and password, then press [Enter].

**Note:** The first time that you (or anyone else) login to the KM0832 OSD, you must use the default super administrator account. The default username is *ADMIN* and the default password is also *ADMIN*. This account can neither be deleted nor does it appear in the username list. The username cannot be changed; however, the password can be changed. We strongly recommend that you change the password immediately; otherwise, your KVM switch and all connected servers are vulnerable to access by unauthorized users. See *Configuring OSD User Settings*, page 79, to change the default password. After other user accounts have been added to the KM0832, it is no longer necessary to use the default super administrator account to login.

---

After you login, a screen similar to the one below appears:



The screenshot shows the OSD main screen with the following text and table:

```
F1 : HELP      F3 : SET      F5 : SCH      F7 : SCAN  X
F2 : VIEW      F4 : ADM      F8 : LOUT  zz
STATION : 900101
VIEW : ACCESSIBLE + POWERED
```

PN	TYPE	NOTE
01	KA9170	ATEN INTL.CO. 1
02	KA9170	ATEN INTL.CO. 2
03	KA9120	ATEN INTL.CO. 3
04	KA9130	FAX SERVER 1
05	KA9120	FAX SERVER 2
06	KA9120	WEB SERVER 1
07	KA9131	WEB SERVER 2
08	KA9130	MAIL SERVER 1

- Note:**
1. The diagram depicts the super administrator's main screen. The user main screen does not show the **F4** function, since it is reserved for super administrators and administrators. Normal users cannot access it.
  2. The OSD always starts in List view, with the highlight bar at the same position it was in the last time it was closed.
  3. Only the KVM ports that have been set accessible by the (super) administrator for the currently logged in user are visible (see *PORT ACCESS*, p. 114, for details).
-



## OSD Main Screen Headings

Heading	Explanation
PN	This column lists the port numbers for all the KVM ports on the installation. The simplest method to access a particular computer is to move the highlight bar to it and press [Enter].
TYPE	The model number of the KVM adapter cable used to connect the computer to the KVM port.
NOTE	If a KVM port has been given a name (see <i>SET PC NOTE</i> , p. 116), its name appears in this column.

## OSD Navigation

Use the following procedures to navigate through OSD menus:

- ◆ To dismiss the main screen, and deactivate the OSD, click the **X** at the upper right corner of the OSD window; or press [Esc].
- ◆ To logout, click **F8** at the top of the main screen, or press [F8].
- ◆ To move up or down through the list one line at a time, click the up and down triangle symbols (▲▼) or use the Up and Down Arrow keys. If there are more list entries than there is room for on the main screen, the screen will scroll.
- ◆ To move up or down through the list one screen at a time, click the up and down arrow symbols (↑↓), or use the [Page Up] and [Page Down] keys. If there are more list entries than there is room for on the main screen, the screen will scroll.
- ◆ After executing any action, you automatically go back to the menu one level above.

## Accessing Computers

To access a computer, double-click it; or, move the highlight bar to it, and then press [Enter].

If more than one user tries to access a KVM port at the same time, the first user in controls the KVM port, while the other users can only view it. If the controlling user exits the KVM port, the second user in gains control.

## Port ID Numbering

---

Each KVM port in the KVM installation has a unique port ID. The port ID is composed of up to 4 port numbers separated by hyphens. These port numbers describe a path from the first-level KVM switch through the KVM installation to the target device. In Hotkey mode, you can type a port ID to switch directly to any KVM port in the installation.

The port numbers that compose the port ID are displayed in the following order from left to right:

### Cascaded Installations

1. The *port number* on the first-level KM0832
2. The *port number* on the second-level KVM switch (if applicable)
3. The *port number* on the third-level KVM switch (if applicable)
4. The *port number* on the fourth-level KVM switch (if applicable)

For example, a computer attached to **Port 3** of a fourth-level KVM switch, which is cascaded from **Port 6** of a third-level KM0832, which is cascaded from **Port 15** of a second-level KM0832, which in turn is cascaded from **Port 8** of the first-level KM0832, would have a port ID of: **8-15-6-3**.

### Matrix Plus KVM Adapter Cable Installations

1. The *port number* on the first-level KM0832
2. The *port number* on the second-level KVM switch (if applicable)
3. The *port number* on the third-level KVM switch (if applicable)
4. The *station ID* displayed on the Matrix Plus KVM adapter cable

For example, a computer attached to a Matrix Plus KVM adapter cable with **Station ID 3**, which is cascaded from **Port 6** of a third-level KM0832, which is cascaded from **Port 15** of a second-level KM0832, which in turn is cascaded from **Port 8** of the first-level KM0832, would have a port ID of: **8-15-6-3**.

### Daisy-Chained Installations

1. The port ID for daisy-chained KVM switches begins with “1”.
2. The position of the KM0432 or KM0216 Matrix KVM Switch in the daisy chain. You can determine the position of the KM0432 or KM0216 in the daisy chain by subtracting 1 from its station ID.

For example, the station ID of the first KM0432 or KM0216 in the daisy chain is 2.

$$2 - 1 = 1$$

The KM0432 or KM0216's position in the daisy chain is 1.

The table below lists the KM0432 or KM0216's station ID and its position in the daisy chain.

Station ID	Position in the Daisy Chain
2	1
3	2
4	3
5	4
6	5
7	6
8	7

3. The *port number* on the KM0432 or KM0216

For example, a computer attached to **Port 18** of a KM0432 or KM0216, which is in **Position 7** in the daisy chain (Station ID 8), which in turn is daisy-chained from the first-level KM0832, would have a port ID of: **1-7-18**.

## OSD Functions

---

OSD functions configure and control the OSD. Examples of what can be accomplished with the OSD include: rapidly switching to any KVM port; auto scanning specifically selected KVM ports; limiting the list of KVM ports you wish to view; managing port names; user management, system administration, and making OSD setting adjustments.

All setting changes are stored in temporary memory and remain in effect for the duration of your session. If you shut down the KM0832 without first logging out, your changes may be discarded. Setting changes in daisy-chained KM0432 or KM0216 only become permanent when you log out of the OSD (see p. 122). If you shut down the KM0432 or KM0216 without first logging out, your changes are discarded.

To access an OSD function:

1. Click a function key field at the top of the main screen.  
-or-  
Press a function key on the keyboard.
2. In the submenus that appear, double-click on a choice.  
-or-  
Move the highlight bar to the choice, and then press [Enter].
3. Click or press [Esc] to return to the previous menu level.

To change a setting:

1. Double-click it.  
-or-  
Move the highlight bar to it, and then press [Enter].
2. After you select an item, a submenu with further choices appears. To make a selection, repeat Step 1 above. An icon appears before the selected choice.

A complete description of the KM0832's OSD operations are given in the sections that follow.

## **F1: HELP**

Click or press [F1] to access Help. It gives a brief description about each OSD function. It also displays information about the user, such as username, group membership, and the KVM console the user is operating.

To return to the OSD main screen, click or press [Esc].

## **F2: VIEW**

Many of the OSD functions only operate on the computers that are currently displayed (listed) on the main screen. This function lets you broaden or narrow the scope of which KVM ports the OSD lists on the main screen. The submenu choices and their meanings are given in the table below.

<b>Setting</b>	<b>Function</b>
VIEW MODE	<p>Allows you to select which computers are listed in the OSD main screen. Choices are:</p> <p><b>PERSONAL</b>—The OSD lists the KVM ports that the user has set as personal. See <i>SET PERSONAL VIEW</i> (below).</p> <p><b>ACCESSIBLE</b>—The OSD lists only those KVM ports that the user is permitted to access. See <i>PORT ACCESS</i>, p. 114.</p> <p><b>ACCESSIBLE + POWERED</b>—The OSD lists only those KVM ports that the user is permitted to access and that have their attached computers powered on.</p> <p>The default is ACCESSIBLE + POWERED.</p>
SET PERSONAL VIEW	<p>If there are KVM switches cascaded from the KVM ports of the first-level KVM switch, you can create shortcuts to the computers of those lower-level KVM switches that will appear in the OSD list.</p> <p><b>To add a shortcut:</b></p> <ol style="list-style-type: none"> <li>1. Select ADD SHORTCUT. A box appears.</li> <li>2. Enter the port ID number of the computer for which you wish to create a shortcut (e.g. 1-1-1). For a discussion on port ID numbering see p. 104.</li> </ol> <p><b>To delete a shortcut:</b></p> <ol style="list-style-type: none"> <li>1. Select DELETE SHORTCUT. A list of shortcuts appears.</li> <li>2. From the list, select the shortcut that you wish to delete.</li> <li>3. Press [Y] to confirm; or, press [N] to cancel.</li> </ol>

*(continues on next page)*

(continued from previous page)

Setting	Function
SET PORT ID	<p>A submenu appears with three selections:</p> <p><b>ID POSITION</b>—Allows you to position where the port ID appears on the monitor. The default is the upper left corner, but you can have it appear anywhere on the screen.</p> <p>Use the mouse or the arrow keys plus [Page Up], [Page Down], [Home], [End], and [5] (on the numeric keypad with [Num Lock] off), to position the port ID display, then double-click or press [Enter] to lock the position and return to the View submenu.</p> <p><b>DISPLAY DURATION</b>—Determines how long a port ID displays on the monitor after a KVM port change has taken place. The choices are:</p> <p>    USER DEFINED—which lets you select the amount of time (from 1–240 sec.); and</p> <p>    ALWAYS ON—which displays the port ID at all times.</p> <p>If you select USER DEFINED, key in the number of seconds, then press [Enter]. The default is 3 seconds. A setting of 0 (zero) disables this function.</p> <p><b>DISPLAY MODE</b>—Selects how the port ID is displayed: the port number plus the port name (PORT NUMBER + PC NAME); the port number alone (PORT NUMBER); or the port name alone (PC NAME). The default is PORT NUMBER + PC NAME.</p>
SET SCAN	<p><b>SCAN INTERVAL</b>—Determines how long the focus dwells on each KVM port as it cycles through the selected KVM ports in Auto Scan mode (see <i>F7 SCAN</i>, p. 121). Enter a value from 0–240 seconds, and then press [Enter]. The default is 5 seconds. Entering 0 will cause the KM0832 to automatically enter Skip mode when Auto Scan mode is invoked.</p> <p><b>SCAN MODE</b>—Selects which computers will be accessed under Auto Scan mode (see <i>F7 SCAN</i>, p. 121). Choices are:</p> <p>    PERSONAL—only those KVM ports that the user has set as personal. See <i>SET PERSONAL VIEW</i> on p. 107.</p> <p>    ACCESSIBLE—only those KVM ports that the user is permitted to access. See <i>PORT ACCESS</i>, p. 114.</p> <p>    ACCESSIBLE + POWERED—only those KVM ports that the user is permitted to access and that have their attached computers powered on.</p> <p>The default is ACCESSIBLE + POWERED.</p>

### **F3: SET**

This function allows the user to change the account password and set up a unique working environment. A separate profile for each user is stored by the OSD and is activated according to the username that is provided during login. The settings are explained in the following table:

<b>Setting</b>	<b>Function</b>
CHANGE PASSWORD	Enables the user to change the account password. Enter the old account password in the top field. Enter a new password in the middle field, and then reenter the password in the bottom field to confirm it. Press enter to save changes and return to the previous menu.
OSD ACTIVATION	Selects which Hotkey activates the OSD function: [Scroll Lock] [Scroll Lock] or [Ctrl] [Ctrl]. Since the Ctrl key combination may conflict with programs running on the computers, the default is the Scroll Lock combination.
SET LOGOUT TIMEOUT	If there is no input from the KVM console for the amount of time set with this function, the operator is automatically logged out. A login is necessary before the KVM console can be used again. This enables other operators to gain access to the computers when the original operator is no longer accessing them, but has forgotten to logout. To set the timeout value, key in a number from 1–180 minutes, then press [Enter]. If the number is 0 [zero], this function is disabled. The default is 0 (disabled).
SCREEN BLANKER	If there is no input from the KVM console for the amount of time set with this function, the screen is blanked. Key in a value from 1–30 minutes, then press [Enter]. A setting of 0 disables this function. The default is 0 (disabled).
HOTKEY COMMAND MODE	Enables / Disables the Hotkey Command function in case a conflict with programs running on the computers occurs. The default is enabled. Choices are Y (Yes), or N (No).

*(continues on next page)*

*(continued from previous page)*

<b>Setting</b>	<b>Function</b>
SET BEEPER	When activated, the beeper sounds whenever a KVM port is changed, when activating the Auto Scan mode (see <i>F7 SCAN</i> , p. 121), or an invalid entry is made on an OSD menu. The default is Y (activated). Choices are Y (Yes), or N (No).
IDLE TIMEOUT	If there is no input from the KVM console accessing a particular KVM port for the amount of time set with this function, the KVM port is released, allowing it to be accessed by the other KVM consoles.  To set the timeout value, key in a number from 0–240 seconds, then press [Enter].  If the number is 0 [zero], this function is disabled. The default is 5 seconds.
RESTORE USER DEFAULT	Selecting this restores the original factory default settings for VIEW and SET for the user profile. Choices are Y (Yes), or N (No).



## **F4: ADM**

F4 is a (super) administrator only function. It allows them to configure and control the overall operation of the OSD.

---

**Note:** When creating user accounts you must add each user to a group.

Therefore, we suggest that you create groups before users. If you do not wish to create groups you may add users to the default group account.

However, the default group account cannot be used to grant port access to group members. In this case, you must individually add users to the KVM port(s).

---

## **ACCOUNT MANAGEMENT**

<b>Setting</b>	<b>Function</b>
CREATE GROUP	Opens the NEW GROUP NAME field. Enter a name for the new group, and then press [Enter]. The group name may be up to 15 characters long, and can consist of any combination of letters and numbers (A–Z, 0–9).
MODIFY GROUP	Lists all groups. Select the group name that you wish to modify. Edit the group name, and then press [Enter].
DELETE GROUP	Lists all groups. Select the group name that you wish to delete. Press [Y] to confirm; or, press [N] to cancel.
GROUP ACCESS SETTING	<ol style="list-style-type: none"> <li>1. The group list appears.</li> <li>2. Select the group for which you wish to modify port access rights. A list of all KVM ports appears.</li> <li>3. Select a KVM port, and then set the Group Access Type: VIEW—group members can only view video from the KVM port; FULL—group members can view video from the KVM port and control it.</li> <li>4. Press [Esc] to exit. The Group Access Type you selected is assigned to the group.</li> <li>5. Repeat this procedure for all the KVM ports in the list.</li> </ol>

*(continues on next page)*

(continued from previous page)

CREATE USER ACCOUNT	<ol style="list-style-type: none"> <li>1. The group list appears.</li> <li>2. From the list, select the group to which you wish to add the new user.</li> <li>3. Enter a username and a password for the account; reenter the password to confirm it, and then press [Enter]. The username and password may be up to 15 characters long, and can consist of any combination of letters and numbers (A–Z, 0–9). The User Type list appears.</li> <li>4. Select a User Type for the account: user (NORMAL USER), administrator (ADM), or (SUPER ADM). (Only super administrators can grant super administrator user rights to other users.)</li> </ol>
MODIFY USER ACCOUNT	<p>Allows you to modify the user account settings. Choices are: RESET USER PASSWORD, CHANGE USER TYPE, and CHANGE USER GROUP.</p> <p><b>To change a user's account password:</b></p> <ol style="list-style-type: none"> <li>1. Select RESET USER PASSWORD. The user list appears.</li> <li>2. From the list, select the user for whom you wish to change the password.</li> <li>3. Enter the new password; reenter the new password to confirm it, and then press [Enter]. The password is changed.</li> </ol> <p><b>To change a user's User Type:</b></p> <ol style="list-style-type: none"> <li>1. Select CHANGE USER TYPE. The user list appears.</li> <li>2. From the list, select the user for whom you wish to change the User Type.</li> <li>3. Select the new User Type, and then press [Esc] to exit. The User Type is changed.</li> </ol> <p><b>To change a user's group membership:</b></p> <ol style="list-style-type: none"> <li>1. Select CHANGE USER GROUP. The user list appears.</li> <li>2. From the list, select the user for whom you wish to change the group membership. The group list appears.</li> <li>3. From the list, select the group to which you wish to add the user. The user is removed from the original group and added to the new group.</li> </ol>
DELETE USER ACCOUNT	<p>Opens the user list. Select the user that you wish to delete. Press [Y] to confirm; or, press [N] to cancel.</p>

(continues on next page)

(continued from previous page)

Setting	Function
USER ACCESS SETTING	<p>Allows you to set special access rights for a user to specific KVM ports. If you want a user's KVM port access rights to be determined by the group, you do not need to modify these settings.</p> <ol style="list-style-type: none"> <li>1. The user list appears.</li> <li>2. Select the user for whom you wish to modify port access rights. A list of all KVM ports appears.</li> <li>3. Select a KVM port, and then set the User Access Type: NONE—no port access; VIEW—users can only view video from the KVM port; FULL—users can view video from the KVM port and control the KVM port; GROUP—port access rights are determined by the group of which the user is a member. (GROUP is the default setting.) The User Access Type you selected is assigned to the user. <p><b>Note:</b> If NONE is set, the KVM port will not appear in the user's KVM port list on the OSD main screen.</p> </li> <li>4. If the OSD does not automatically return to the previous screen, press [Esc]. The OSD returns to the previous screen.</li> <li>5. Repeat this procedure for all the KVM ports in the list.</li> </ol>

## PORT MANAGEMENT

Setting	Function
PORT ACCESS	<p>This function allows the administrator to define group and user access to the computers on the installation on a port-by-port basis.</p> <p>Select a KVM port from the list to manage user and group access to the KVM port. A list appears with the following choices: ADD GROUP, SET GROUP ACCESS TYPE, DELETE ACCESS GROUP, ADD USER, SET USER ACCESS TYPE, and DELETE ACCESS USER.</p> <p><b>To grant port access to a group:</b></p> <ol style="list-style-type: none"> <li>1. Select ADD GROUP. The group list appears.</li> <li>2. From the list, select the group to which you wish to grant access to the KVM port.</li> <li>3. Press [Y] to confirm; or, press [N] to cancel.</li> </ol> <p><b>To set the Group Access Type:</b></p> <ol style="list-style-type: none"> <li>1. Select SET GROUP ACCESS TYPE. A list of all groups that have been added to the KVM port appears.</li> <li>2. From the list, select the group for which you wish to set the Group Access Type.</li> <li>3. Set the Group Access Type: VIEW—group members can only view video from the KVM port; FULL—group members can view video from the KVM port and control the KVM port.</li> <li>4. Press [Esc] to exit. The Group Access Type you selected is assigned to the group.</li> </ol> <p><b>To revoke group access for a port:</b></p> <ol style="list-style-type: none"> <li>1. Select DELETE ACCESS GROUP. A list of all groups that have been added to the KVM port appears.</li> <li>2. From the list, select the group for which you wish to revoke access to the KVM port.</li> <li>3. Press [Y] to confirm; or, press [N] to cancel.</li> </ol>

*(continues on next page)*

(continued from previous page)

Setting	Function
PORT ACCESS (cont.)	<p><b>To grant port access to a user:</b></p> <ol style="list-style-type: none"> <li>1. Select ADD USER. The user list appears.</li> <li>2. From the list, select the user to whom you wish to grant access to the KVM port.</li> <li>3. Press [Y] to confirm; or, press [N] to cancel.</li> </ol> <p><b>To set the User Access Type:</b></p> <ol style="list-style-type: none"> <li>1. Select SET USER ACCESS TYPE. A list of all users who have been added to the KVM port appears.</li> <li>2. From the list, select the user for whom you wish to set the User Access Type.</li> <li>3. Set the User Access Type: NONE—no port access; VIEW—users can only view video from the KVM port; FULL—users can view video from the KVM port and control the KVM port.</li> </ol> <p><b>Note:</b> If NONE is set, the KVM port will not show up in the user's KVM port list on the OSD main screen.</p> <ol style="list-style-type: none"> <li>4. Press [Esc] to exit. The User Access Type you selected is assigned to the user.</li> </ol> <p><b>To revoke user access for a port:</b></p> <ol style="list-style-type: none"> <li>1. Select DELETE ACCESS USER. A list of all users that have been added to the KVM port appears.</li> <li>2. From the list, select the user for whom you wish to revoke access to the KVM port.</li> <li>3. Press [Y] to confirm; or, press [N] to cancel.</li> </ol>

(continues on next page)

(continued from previous page)

Setting	Function
SET PC NOTE	<p>To help remember which computer is attached to a particular KVM port, every KVM port can be given a name. This function allows the administrator to create, modify, or delete port notes.</p> <p><b>To edit a port note:</b></p> <ol style="list-style-type: none"> <li>1. Click the KVM port you want, or use the navigation keys to move the highlight bar to it, then press [Enter].</li> <li>2. Type a new port note, or modify/delete the old one. Port notes may be up to 15 characters long. Legal characters include: a–z, A–Z, 0–9, space, and hyphen.  Port notes are not case sensitive; the OSD displays the port note in all capitals no matter how they were entered.</li> <li>3. When you have finished editing, press [Enter]. The new name appears in the PORT NOTE field. To abort the change, press [Esc].</li> </ol>
SET PORT LANGUAGE	<p>This function allows the administrator to define the keyboard language layout for each KVM port. The default is U.S. ENGLISH.</p> <p><b>To set the port language:</b></p> <ol style="list-style-type: none"> <li>1. From the list, select the KVM port for which you wish to set the computer's keyboard language layout.</li> <li>2. Set the keyboard language layout: US ENGLISH, JAPANESE, or FRENCH.</li> <li>3. Press [Esc] to exit. The keyboard language layout you selected is assigned to the KVM port.</li> </ol>
SET PORT OPERATING SYSTEM	<p>This function allows the administrator to define the operating platform for the computer connected to each KVM port. The default is WINDOWS (PC compatible).</p> <p><b>To set the port operating system:</b></p> <ol style="list-style-type: none"> <li>1. From the list, select the KVM port for which you wish to set the computer's operating platform.</li> <li>2. Set the operating platform: WINDOWS, MAC, or SUN.</li> <li>3. Press [Esc] to exit. The operating platform you selected is assigned to the KVM port.</li> </ol>

(continues on next page)

(continued from previous page)

Setting	Function
RESTORE PORT DEFAULT	This function revokes port access for users and groups, removes the station name and port notes, and restores original factory default settings for the Port Operating System and Port Language fields. See <i>Factory Default Settings</i> , page 136.

## STATION MANAGEMENT

Setting	Function
CREATE STATION NOTE	This function allows administrators to assign a name to the KM0832 station, which helps to distinguish identical stations on a multiple station KVM installation.
DELETE STATION NOTE	This function allows administrators to delete a station note.

## SYSTEM INFORMATION

Setting	Function
SYSTEM INFORMATION	This function differs from the System Information screen in the KM0832 Administrator Utility. It displays a list of all KM0832 modules, as well as connected console modules and KVM adapter cables. Important information about each device is shown in the list, such as the KVM console or port number to which the device is attached, the device type, the original firmware version and the most recent firmware upgrade version.

## SADM CONFIGURATION

Only the super administrator can view and control the functions under this menu.

Setting	Function
SET NETWORK	<p>This function allows administrators to configure the network settings for the KM0832 on the Local Area Network (LAN). A submenu appears with the following choices: HTTP PORT, HTTPS PORT, AUTOMATIC IP ADDRESS, and IP ADDRESS SETTING.</p> <p><b>To set the HTTP port:</b></p> <ol style="list-style-type: none"> <li>1. From the list, select HTTP PORT.</li> <li>2. Key in the port (typically port 80), and press [Enter].</li> </ol> <p><b>To set the HTTPS port:</b></p> <ol style="list-style-type: none"> <li>1. From the list, select HTTPS PORT.</li> <li>2. Key in the port (typically port 443), and press [Enter].</li> </ol> <p><b>To enable dynamic IP addressing with a DHCP server:</b></p> <ol style="list-style-type: none"> <li>1. From the list, select AUTOMATIC IP ADDRESS.</li> <li>2. Press [Y] to enable; or, press [N] to disable.</li> </ol> <p><b>Note:</b> The default is enabled. If you disable this feature, then you should manually configure the IP settings.</p> <p><b>To manually configure the IP settings:</b></p> <ol style="list-style-type: none"> <li>1. From the list, select IP ADDRESS SETTING. A list appears with the following choices: IP ADDRESS, SUBNET MASK, GATEWAY, PRIMARY DNS SERVER, and ALTERNATE DNS SERVER.</li> <li>2. Select each choice and enter the numerical address (dotted quad address), and then press [Enter].</li> </ol> <p><b>Note:</b> These settings do not apply if you enable DHCP.</p>
SET CLOCK	<p>This function allows administrators to configure the date and time for the KM0832. A submenu appears with the following choices: SET DATE and SET TIME.</p> <p><b>To set the date and time:</b></p> <ol style="list-style-type: none"> <li>1. From the list, select SET DATE. In the field that appears, enter the date in YYYY-MM-DD format, and then press [Enter].</li> <li>2. From the list, select SET TIME. In the field that appears, enter the time in HH:MM:SS format, and then press [Enter].</li> </ol>

*(continues on next page)*



(continued from previous page)

Setting	Function
BROADCAST	<p>Selecting BROADCAST invokes Broadcast mode. When this function is in effect, commands sent from the KVM console keyboard are broadcast to all available computers in the installation.</p> <p>This function is particularly useful for operations that need to be performed on multiple computers, such as performing a system wide shutdown, installing or upgrading software, etc.</p> <ul style="list-style-type: none"> <li>◆ While Broadcast mode is in effect, a <i>speaker</i> symbol appears before the port ID display of the KVM port that currently has the KVM console focus.</li> <li>◆ While Broadcast mode is in effect, other KVM consoles will not be able to control the computers; however, they will be able to access the KVM ports to view the computers.</li> <li>◆ While Broadcast mode is in effect, a message indicating such displays across the bottom of the Super Administrator's screen.</li> <li>◆ Mouse commands will not be broadcast.</li> <li>◆ If the super administrator that invoked Broadcast mode is idle for longer than the period of time set with the Idle Timeout function, Broadcast mode is canceled. (See <i>Set Idle Timeout</i>, page 80 for details.)</li> <li>◆ While Broadcast mode is in effect, if the super administrator that invoked Broadcast mode invokes the OSD for more than 30 seconds, Broadcast mode is canceled.</li> <li>◆ To exit Broadcast mode, invoke the OSD (with the OSD Hotkey), then select BROADCAST to turn Broadcast mode off.</li> </ul>

## **F5: SCH**

The Search function provides a convenient method to easily locate KVM ports and cascaded stations by their port notes.

To search for a KVM port:

1. From the OSD main screen, press or click [**F5**].
2. In the field that appears, enter the port note of the KVM port for which you are searching. All port notes that match or contain the search term(s) appear in a list.

## **F7: SCAN**

This function allows you to automatically switch among the available computers at regular intervals so that you can monitor their activity without having to take the trouble of switching yourself.

- ◆ The selection of KVM ports to be included for Auto Scanning is made with the SCAN MODE setting under the **F2 SET** function (see *SET SCAN* on p. 108).
- ◆ The amount of time that each KVM port displays for is set with the SCAN INTERVAL setting under the **F2 SET** function (see *SET SCAN* on p. 108). When you want to stop at a particular location, press the [Spacebar] or [Esc] to stop scanning and exit Auto Scan mode.
- ◆ If the scanning stops on an empty KVM port, or one where the computer is attached but is powered off, the monitor screen will be blank, and the mouse and keyboard will have no effect. Simply wait—after the Scan Duration time is up, Auto Scan mode will switch to the next KVM port.
- ◆ As each KVM port is accessed, an **S** appears in front of the port ID display to indicate that it is being accessed under Auto Scan mode.
- ◆ While Auto Scan mode is in effect, the KVM console will not function normally. You must exit Auto Scan mode in order to regain control of the KVM console.
- ◆ While you are in Auto Scan mode, you can pause the scanning in order to keep the focus on a particular KVM port either by pressing **P**, or with a left-click of the mouse. See *Invoking Auto Scan*, p. 126, for details.
- ◆ While you are in Auto Scan mode, you can press the arrow keys to skip through the OSD list:

←	Switches to the previous KVM port in the OSD list.
→	Switches to the next KVM port in the OSD list.
↑	Switches to the first KVM port in the OSD list.
↓	Switches to the last KVM port in the OSD list.

After the amount of time set with the SCAN INTERVAL elapses, Auto Scan mode will switch to the next KVM port.

When you skip, you only skip to the previous or next available KVM port that is in the Auto Scan mode selection (see p. 108).

- ◆ To exit Auto Scan mode, press the [Spacebar] or [Esc].

**F8: LOUT**

LOUT (logout) logs you out of OSD control of the computers, and blanks the KVM console screen. This is different from simply pressing [Esc] to deactivate the OSD when you are at the main screen. With this function you must login all over again to regain access to the OSD, whereas with [Esc], all you have to do to reenter the OSD is tap the OSD Hotkey.

- 
- Note:**
1. When you reenter the OSD after logging out, the screen stays blank except for the OSD main screen. You must input your password before you can continue.
  2. If you reenter the OSD after logging out, and immediately use [Esc] to deactivate the OSD without having selected a KVM port from the OSD menu, a null port message displays on the screen. The OSD Hotkey will bring up the OSD main screen.
-

# Chapter 6

## Hotkey Operation

### Hotkey Port Control

---

Hotkey port control allows you to provide KVM focus to a particular KVM port directly from the keyboard.

---

**Note:** Hotkeys work best in single level and basic cascaded or daisy-chained installations. For installations that combine daisy chaining and cascading, it is simpler, more convenient, and more efficient to use the OSD.

---

The KM0832 provides the following hotkey port control features:

- ◆ Port switching
- ◆ Auto scanning
- ◆ Skip mode switching

### Invoking Hotkey Mode

All hotkey operations begin by invoking Hotkey mode. You must be viewing a port in the KM0832 KVM installation to invoke Hotkey mode.

To invoke Hotkey mode:

1. Press and hold down the [Num Lock] key.
2. Press and release the minus (-) key or the asterisk (\*) key.
3. Release the [Num Lock] key.

[Num Lock] + [-]

-or-

[Num Lock] + [\*]

When Hotkey mode is active:

- ◆ The Caps Lock, and Scroll Lock LEDs flash in succession. They stop flashing and revert to normal status when you exit Hotkey mode.
- ◆ An on-screen command line appears. The command line prompt is the word *HOTKEY:* in white text on a blue background. Text that you key in while in Hotkey mode displays here.
- ◆ Ordinary keyboard and mouse functions are suspended—only Hotkey mode compliant keystrokes and mouse clicks (described in the sections that follow), can be input.
- ◆ Pressing [Esc] or [Spacebar] exits Hotkey mode.

## **Port Switching**

Each KVM port is assigned a port ID based on its position in the KVM installation (see *Port ID Numbering*, p. 104). After invoking Hotkey mode, you can type a port ID to switch directly to any KVM port in the installation. Depending on the position of the KVM port in the installation, the port ID is composed of up to 4 port numbers separated by hyphens.

### **Switching to KVM Ports**

To switch to a KVM port:

1. Invoke Hotkey mode (see p. 123).
2. At the command prompt, type the port ID. (See *Port ID Numbering*, page 104, for a description of the port ID.)  
The port ID numbers display on the command line as you type them. If you make a mistake, use [Backspace] to erase the wrong number.
3. Press [Enter].

After you press [Enter], the KVM focus switches to the designated KVM port, the port ID is displayed, and you automatically exit Hotkey mode.

## **Auto Scanning**

Auto Scan mode switches among all the KVM ports that are accessible to the current operator at regular intervals (see *SCAN MODE* under *SET SCAN*, p. 108, for information regarding accessible KVM ports). This function is convenient for automatically monitoring the activity of the computers on the installation.

### **Setting the Scan Interval**

The amount of time Auto Scan mode focuses on each KVM port is set with the *SCAN INTERVAL* setting of the OSD **F2 SET** function (see *SET SCAN* on p. 108). You can change the scan interval before activating Hotkey Auto Scanning, if you wish, with the following hotkey combination:

1. Invoke Hotkey mode (see p. 123).
2. Key in [T] [n]

Where [T] is the letter **T**, and [n] is a number from 0–240 that represents the number of seconds for the dwell time.

The letter **T** and the numbers display on the command line as you key them in. If you make a mistake, use [Backspace] to erase the wrong number.

3. Press [Enter]

After you press [Enter], you automatically exit Hotkey mode, and are ready to invoke Auto Scanning.

## Invoking Auto Scan

To start Auto Scanning, key in the following hotkey combination:

1. Invoke Hotkey mode (see p. 123).
2. Press [A].

After you press **A**, you automatically exit Hotkey mode, and enter Auto Scan mode, and Auto Scanning begins.

- ◆ While you are in Auto Scan mode, you can pause the scanning in order to keep the focus on a particular KVM port either by pressing **P** or with a left-click of the mouse. During the time that Auto Scanning is paused, the command line displays: *AUTOSCAN PAUSED*

Pausing and exiting are the two ways to stop scanning and keep the focus on a particular KVM port. If you intend to continue scanning after a brief stop, pausing is more convenient than exiting Auto Scan mode completely.

This is because when you resume scanning after pausing, you start from where you left off. On the other hand, if you exit and then restart Auto Scan mode, you start over from the very first KVM port on the installation.

To resume Auto Scanning after you pause, press any key or left-click. Scanning continues from where it left off.

- ◆ While you are in Auto Scan mode, you can press the arrow keys to skip through the OSD list:

←	Switches to the previous KVM port in the OSD list.
→	Switches to the next KVM port in the OSD list.
↑	Switches to the first KVM port in the OSD list.
↓	Switches to the last KVM port in the OSD list.

After the amount of time set with the `SCAN INTERVAL` elapses, Auto Scan mode will switch to the next KVM port.

When you skip, you only skip to the previous or next available KVM port that is in the Auto Scan mode selection (see p. 108).

- ◆ While Auto Scan mode is in effect, ordinary keyboard and mouse functions are suspended—only Auto Scan mode compliant keystrokes



and mouse clicks can be input. You must exit Auto Scan mode in order to regain normal control of the KVM console.

3. To exit Auto Scan mode press [Esc] or [Spacebar]. Auto Scanning stops when you exit Auto Scan mode.

## Hotkey Beeper Control

---

The beeper (see *SET BEEPER*, p. 110) can be toggled on and off by means of a hotkey. To toggle the beeper, enter the following hotkey combination:

1. Invoke Hotkey mode (see p. 123).
2. Press [B]

After you press **B**, the beeper toggles on or off. The command line displays *BEEPER ON* or *BEEPER OFF* for one second; then the message disappears and you automatically exit Hotkey mode.

## Hotkey Summary Table

[Num Lock] + [-] -or- [Num Lock] + [*]	[port ID] [Enter]	Switches access to the KVM port that corresponds to that port ID.
	[T] [n] [Enter]	Sets the Auto Scan mode interval to <b>n</b> seconds—where <b>n</b> is a number from 1–240.
	[A]	<p>Invokes Auto Scan mode.</p> <p>When Auto Scan mode is in effect, press [P] or left-click to pause Auto Scan mode. When Auto Scan mode is paused, press any key or left-click to resume Auto Scan mode.</p> <p>Press [Esc] or [Spacebar] to exit Auto Scan mode.</p>
	[←]	In Auto Scan mode, skips to the previous port in the OSD list.*
	[→]	In Auto Scan mode, skips to the next port in the OSD list.*
	[↑]	In Auto Scan mode, skips to the first port in the OSD list.*
	[↓]	In Auto Scan mode, skips to the last port in the OSD list.*
	[B]	Toggles the beeper on or off.

\* The user's Scan Mode settings and port access rights determine which ports are available in Auto Scan mode. To change Scan Mode settings, see *SET SCAN* on p. 108.









# Chapter 7

## Keyboard Emulation

### Apple Keyboard

---

The IBM PC keyboard (101/104 keys) can emulate the functions of the Apple keyboard. The emulation mappings are listed in the table below.

PC Keyboard	Apple Keyboard
[Shift]	Shift
[Ctrl]	Ctrl
	
[Ctrl] [1]	
[Ctrl] [2]	
[Ctrl] [3]	
[Ctrl] [4]	
[Alt]	Alt
[Print Screen]	F13
[Scroll Lock]	F14
	=
[Enter]	Return
[Backspace]	Delete
[Insert]	Help
[Ctrl] 	F15








---

**Note:** When using key combinations, press and release the first key (Ctrl), then press and release the activation key.

---

## Sun Keyboard

The IBM PC keyboard (101/104 keys) can emulate the functions of the Sun keyboard when the Control key [Ctrl] is used in conjunction with other keys. The corresponding functions are shown in the table below.

PC Keyboard	Sun Keyboard
[Ctrl] [T]	Stop
[Ctrl] [F2]	Again
[Ctrl] [F3]	Props
[Ctrl] [F4]	Undo
[Ctrl] [F5]	Front
[Ctrl] [F6]	Copy
[Ctrl] [F7]	Open
[Ctrl] [F8]	Paste
[Ctrl] [F9]	Find
[Ctrl] [F10]	Cut
[Ctrl] [1]	
[Ctrl] [2]	
[Ctrl] [3]	
[Ctrl] [4]	
[Ctrl] [H]	Help
	Compose
	

**Note:** 1. When using key combinations, press and release the first key [Ctrl], then press and release the activation key.

2. If you are using a PC keyboard and want to use Stop-A keys to enter the ok prompt, see *Entering the ok Prompt (Sun Solaris)*, page 145.

## Safety Instructions

---

### General

- ◆ Read all of these instructions. Save them for future reference.
- ◆ Follow all warnings and instructions marked on the device.
- ◆ Do not place the device on any unstable surface (cart, stand, table, etc.). If the device falls, serious damage will result.
- ◆ Do not use the device near water.
- ◆ Do not place the device near, or over, radiators or heat registers.
- ◆ The device cabinet is provided with slots and openings to allow for adequate ventilation. To ensure reliable operation, and to protect against overheating, these openings must never be blocked or covered.
- ◆ The device should never be placed on a soft surface (bed, sofa, rug, etc.) as this will block its ventilation openings. Likewise, the device should not be placed in a built in enclosure unless adequate ventilation has been provided.
- ◆ Never spill liquid of any kind on the device.
- ◆ Unplug the device from the wall outlet before cleaning. Do not use liquid or aerosol cleaners. Use a damp cloth for cleaning.
- ◆ The device should be operated from the type of power source indicated on the marking label. If you are not sure of the type of power available, consult your dealer or local power company.
- ◆ The device is equipped with a 3-wire grounding type plug. This is a safety feature. If you are unable to insert the plug into the outlet, contact your electrician to replace your obsolete outlet. Do not attempt to defeat the purpose of the grounding-type plug. Always follow your local/national wiring codes.
- ◆ Do not allow anything to rest on the power cord or cables. Route the power cord and cables so that they cannot be stepped on or tripped over.

*(Continues on next page.)*

*(Continued from previous page.)*

- ◆ If an extension cord is used with this device make sure that the total of the ampere ratings of all products used on this cord does not exceed the extension cord ampere rating. Make sure that the total of all products plugged into the wall outlet does not exceed 15 amperes.
- ◆ To help protect your system from sudden, transient increases and decreases in electrical power, use a surge suppressor, line conditioner, or uninterruptible power supply (UPS).
- ◆ Position system cables and power cables carefully; Be sure that nothing rests on any cables.
- ◆ When connecting or disconnecting power to hot pluggable power supplies, observe the following guidelines:
- ◆ Install the power supply before connecting the power cable to the power supply.
- ◆ Unplug the power cable before removing the power supply.
- ◆ If the system has multiple sources of power, disconnect power from the system by unplugging all power cables from the power supplies.
- ◆ Never push objects of any kind into or through cabinet slots. They may touch dangerous voltage points or short out parts resulting in a risk of fire or electrical shock.
- ◆ Do not attempt to service the device yourself. Refer all servicing to qualified service personnel.
- ◆ If the following conditions occur, unplug the device from the wall outlet and bring it to qualified service personnel for repair.
  - ◆ The power cord or plug has become damaged or frayed.
  - ◆ Liquid has been spilled into the device.
  - ◆ The device has been exposed to rain or water.
  - ◆ The device has been dropped, or the cabinet has been damaged.
  - ◆ The device exhibits a distinct change in performance, indicating a need for service.
  - ◆ The device does not operate normally when the operating instructions are followed.
- ◆ Only adjust those controls that are covered in the operating instructions. Improper adjustment of other controls may result in damage that will require extensive work by a qualified technician to repair.

## **Rack Mounting**

- ◆ Before working on the rack, make sure that the stabilizers are secured to the rack, extended to the floor, and that the full weight of the rack rests on the floor. Install front and side stabilizers on a single rack or front stabilizers for joined multiple racks before working on the rack.
- ◆ Always load the rack from the bottom up, and load the heaviest item in the rack first.
- ◆ Make sure that the rack is level and stable before extending a device from the rack.
- ◆ Use caution when pressing the device rail release latches and sliding a device into or out of a rack; the slide rails can pinch your fingers.
- ◆ After a device is inserted into the rack, carefully extend the rail into a locking position, and then slide the device into the rack.
- ◆ Do not overload the AC supply branch circuit that provides power to the rack. The total rack load should not exceed 80 percent of the branch circuit rating.
- ◆ Ensure that proper airflow is provided to devices in the rack.
- ◆ Do not step on or stand on any device when servicing other devices in a rack.

## Technical Support

---

### International

Email Support	Email your questions and concerns to: support@aten.com
Online Support <ul style="list-style-type: none"><li>◆ Technical Support</li><li>◆ Troubleshooting</li><li>◆ Documentation</li><li>◆ Software Updates</li></ul>	<ol style="list-style-type: none"><li>1. Online technical support is available to ALTUSEN customers through our e-Support Center: <b><a href="http://support.aten.com">http://support.aten.com</a></b></li><li>2. Online troubleshooting that describes the most commonly encountered problems and offers possible solutions to them; online documentation (including electronically available manuals); and the latest drivers and firmware for your product are available at our website: <b><a href="http://www.aten.com">http://www.aten.com</a></b></li></ol>
Telephone Support	886-2-8692-6959

### North America

Email Support	Email your questions and concerns to: support@aten-usa.com
Online Support <ul style="list-style-type: none"><li>◆ Technical Support</li><li>◆ Troubleshooting</li><li>◆ Documentation</li><li>◆ Software Updates</li></ul>	<ol style="list-style-type: none"><li>1. Online technical support is available to ALTUSEN customers through our e-Support Center: <b><a href="http://www.aten-usa.com/support">http://www.aten-usa.com/support</a></b></li><li>2. Online troubleshooting that describes the most commonly encountered problems and offers possible solutions to them; online documentation (including electronically available manuals); and the latest drivers and firmware for your product are available at our website: <b><a href="http://www.aten-usa.com">http://www.aten-usa.com</a></b></li></ol>
Telephone Support	1-888-999-ATEN

When you contact us, please have the following information ready beforehand:

- ◆ Product model number, serial number, and date of purchase.
- ◆ Your computer configuration, including operating system, revision level, expansion cards, and software.
- ◆ Any error messages displayed at the time the error occurred.
- ◆ The sequence of operations that led up to the error.
- ◆ Any other information you feel may be of help.



# Specifications

Function		KM0832
Computer Connections	Direct	32
	Max	8,000
Console Connections		8
Port Selection		OSD, Hotkeys
Connectors	Console Port	8 x RJ-45 female
	KVM Port	32 x RJ-45 female
	Daisy Chain	1 x HPDB-50 female (Black)
	Configuration	1 x RJ-45 female
	Maintenance	1 x RJ-45 female
	Power	1 x 3-prong AC Socket
Switches	Reset	1 x Semi-recessed Pushbutton
	Power	1 x Rocker
	F/W Upgrade Recovery	1 x Slide
	User Port 1	1 x Slide
LEDs	User Port (On Line)	8 (Green)
	KVM Port (On Line/Selected)	32 dual-colored (Green/Red)
	Power	1 (Blue)
I/P Rating		100–240V, 50/60Hz; 1A
Power Consumption		120V/19W; 230V/20W
Emulation	Keyboard/Mouse	PS/2; USB (PC, Mac, Sun); serial
Scan Interval		1–240 seconds
Video		1024x768@60Hz (300m max.); DDC2B
Environment	Operating Temperature	0–50° C
	Storage Temperature	-20–60° C
	Humidity	0–80% RH, non-condensing
Physical Properties	Housing	Metal
	Weight	4.90 kg
	Dimensions (L x W x H)	43.80 x 38.00 x 4.40 cm

## Factory Default Settings

---

The factory default settings are as follows:

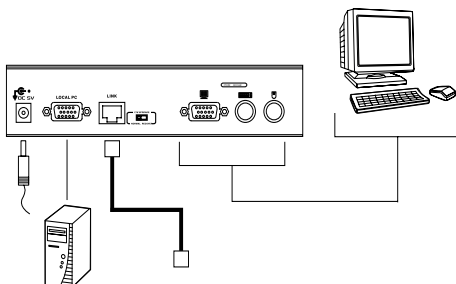
Setting	Default
View Mode	Accessible + Powered
Port ID Display Mode	The Port Number plus the Port Name
Port ID Display Position	Upper Left Corner
Port ID Display Duration	User Defined (3 seconds)
Scan Duration	5 seconds
Scan Mode	Accessible + Powered
OSD Hotkey	[Scroll Lock] [Scroll Lock]
Logout Timeout	0 (Disabled)
Screen Blanker	0 (Disabled)
Hotkey Command Mode	On (Enabled)
Beeper	On (Activated)
Idle Timeout	5 seconds
Port Note	None
Port Operating System	Windows (PC compatible)
Port Language	U.S. English
Port Access	None (super administrators and administrators have full access)
Webpage Session Timeout	3 minutes
IP Address	192.168.0.10
Subnet Mask	255.255.255.0
Default Gateway	192.168.0.254
HTTP Port	80
HTTPS Port	443
DHCP Enabled	No (Disabled)
SMTP Server Mail Notification	No (Disabled)
Date & Time	Synchronize with my computer
Daylight Saving Time	Enabled

---

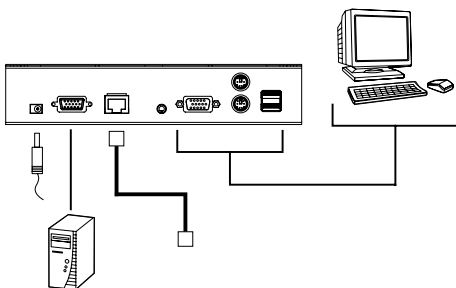
## Additional Installation Diagrams

---

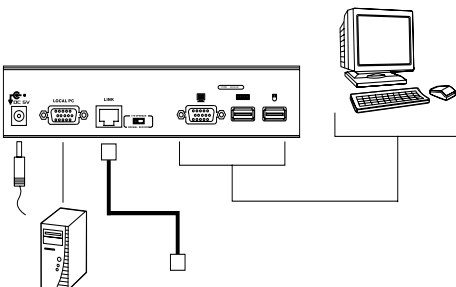
### KA9222A PS/2 Console Module



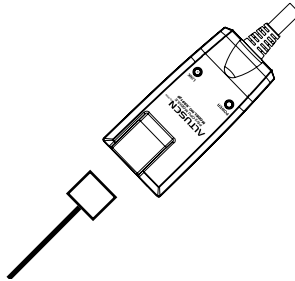
### KA9233 PS/2-USB Console Module



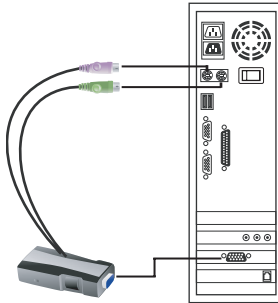
### KA9272A USB Console Module



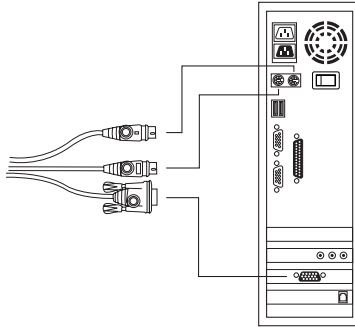
## KM0832 to KVM Adapter Cable Connection



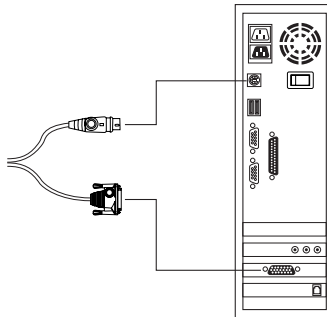
## KA8120 PS/2 KVM Adapter Cable



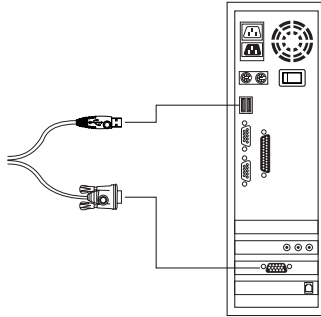
## KA9120 PS/2 KVM Adapter Cable



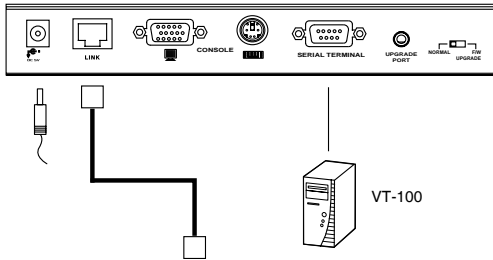
## KA9130 Sun Legacy KVM Adapter Cable



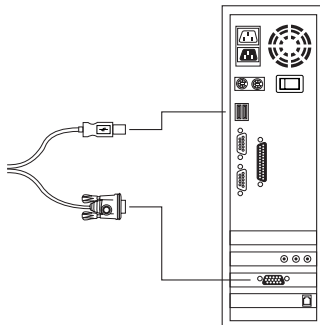
## KA9131 Sun USB KVM Adapter Cable



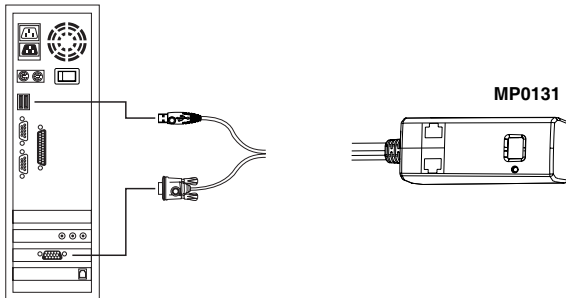
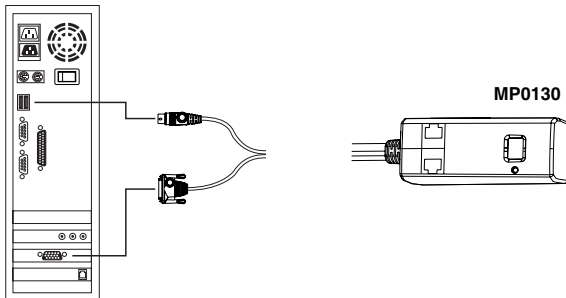
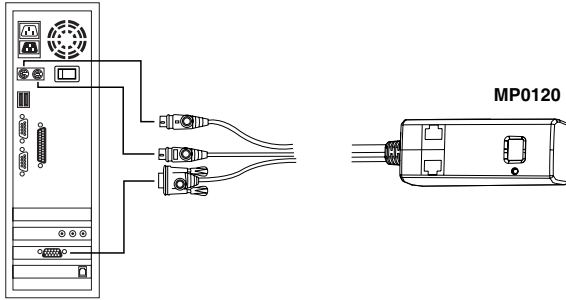
## KA9140 Serial KVM Adapter Cable



## KA9170 USB KVM Adapter Cable



## Matrix Plus KVM Adapter Cables



## Trusted Certificates

---

### Overview

When you try to login to the KM0832 from your Web browser, a Security Alert message appears to inform you that the device's certificate is not trusted, and asks if you want to proceed.



The certificate can be trusted, but the alert is triggered because the certificate's name is not found on Microsoft's list of Trusted Authorities. You have two options: 1) you can ignore the warning and click **Yes** to go on; or 2) you can install the certificate and have it be recognized as trusted.

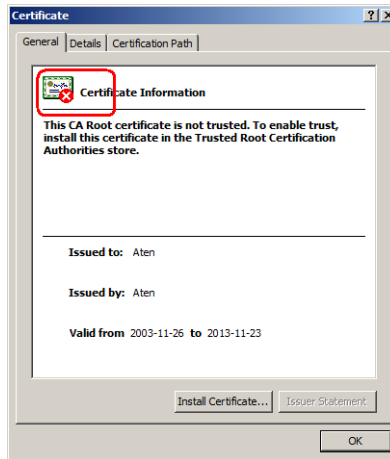
- ◆ If you are working on a computer at another location, accept the certificate for just this session by clicking **Yes**.
- ◆ If you are working at your own computer, install the certificate on your computer (see below for details). After the certificate is installed, it will be recognized as trusted.



## Installing the Certificate

To install the certificate:

1. In the **Security Alert** dialog box, click **View Certificate**. The **Certificate** dialog box appears.



---

**Note:** There is a red and white X logo over the certificate to indicate that it is not trusted.

---

2. Click **Install Certificate**.
3. Follow the Installation Wizard to complete the installation. Unless you have a specific reason to choose otherwise, accept the default options. The Wizard presents a caution screen:



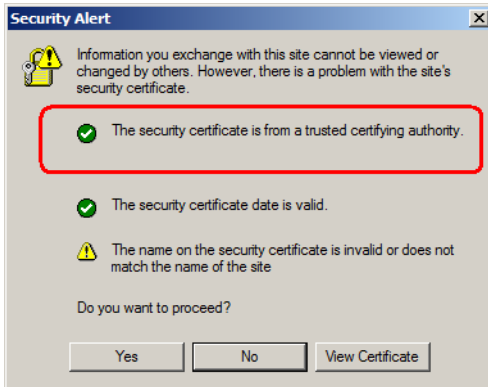
*(Continues on next page.)*

*(Continued from previous page.)*

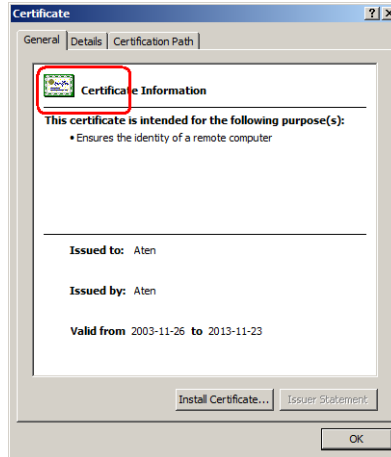
4. Click **Yes**.
5. Click **Finish** to complete the installation.
6. Click **OK** to close the dialog box.

## **Certificate Trusted**

The certificate is now trusted:



When you click **View Certificate**, you can see that the red and white **X** logo is no longer present—further indication that the certificate is trusted.



---

## Entering the ok Prompt (Sun Solaris)

---

If you are using a PC keyboard to control a Sun Solaris server and want to use Stop-A keys to enter the ok prompt, do the following:

---

**Note:** Before entering the ok prompt, consult the server's documentation for any precautionary steps that you should take.

---

Press and release [Ctrl], press and hold down [T], and then press [A].

## Troubleshooting

### General

Problem	Solution
I can't use the KA9222 or KA9272 Console Modules with the KM0832.	The KM0832 does not support these two console modules. Instead, use the KA9222A, KA9272A, and KA9233 Console Modules with the KM0832.
The KVM console monitor does not display and there is no response to keyboard and mouse input.	<ol style="list-style-type: none"> <li>1. Verify that all cables are securely connected and in good condition, including those of the console modules, KVM adapter cables, and Cat 5 cable.</li> <li>2. Upgrade the firmware for the KVM adapter cables.</li> </ol>
I can't use the KA9222A and KA9272A Console Modules to login to the KM0832.	<ol style="list-style-type: none"> <li>1. Verify that the username and password are correct. If after verifying that the username and password are correct you still cannot login, then follow Step 2.</li> <li>2. Upgrade the firmware version of the console modules.</li> </ol>
I can't use an Ethernet hub to connect the console modules and KVM adapter cables to the KM0832.	Although Cat 5 cable is used to connect the console modules and KVM adapter cables to the KM0832, it does not support the Ethernet protocol; thus, you cannot use an Ethernet hub to connect them.
The password for the default super administrator account needs to be reset.	See <i>Restoring Original Factory Default Settings</i> , page 149
I upgrading the firmware, but some of the modules were not upgraded successfully.	See <i>Upgrade Failed</i> , page 89
The firmware upgrade process was prematurely aborted and now some of the modules are inoperable.	See <i>Recovering from a Failed Firmware Upgrade</i> , page 89
I can't upgrade the firmware version.	Make sure that you have selected the correct firmware upgrade package and try again. When upgrading the firmware through the KM0832 Administrator Utility, use a firmware upgrade package with an FW extension. When the system is unavailable due to a system failure, use a firmware upgrade package with an EXE extension to reinstall the firmware. (See <i>Upgrading Firmware</i> , page 82)
I can't access the KM0832 either through the OSD or the KM0832 Administrator Utility.	<ol style="list-style-type: none"> <li>1. Perform a system reset (see <i>SYSTEM RESET Button</i>, page 8).</li> <li>2. Reinstall the firmware (see <i>Upgrading Firmware via the Firmware Upgrade Utility</i>, page 85).</li> </ol>

Problem	Possible Cause	Action
When I login, the browser generates a <i>CA Root certificate is not trusted</i> , or a <i>Certificate Error</i> response.	The certificate's name is not found on Microsoft's list of Trusted Authorities.	The certificate can be trusted. See <i>Trusted Certificates</i> , page 142, for details.
Some characters I enter from the keyboard do not display correctly.	<p>The keyboard layout setting for the port in which you are having the problem does not match the layout of the keyboard that you are using.</p> <p>In order for all characters to display correctly, the keyboard layout setting for the port should match the layout of the keyboard you are using.</p>	<p>Change the keyboard layout setting for the port to match the layout of the keyboard that you are using.</p> <p>To change the keyboard layout setting:</p> <ol style="list-style-type: none"> <li>1. Open the Port Management Webpage for the port in which you are having the problem. (See <i>Port Management</i>, page 67.)</li> <li>2. In the <b>Keyboard Layout</b> field, select the layout of the keyboard you want to use.</li> <li>3. Click <b>Save</b>.</li> <li>4. If the computer attached to the port is a Sun server or iMac, or if changing the keyboard layout setting doesn't immediately resolve the problem, reboot the computer. After rebooting, the characters you enter from the keyboard should display properly.</li> </ol>
I can't use the special keys on my Apple (Sun) keyboard to control Mac (Sun) computers.	<p>The keyboard setting for the port in which you are having the problem does not match the keyboard that you are using.</p> <p>In order to use the special keys on Apple (Sun) keyboards to control Mac (Sun) computers, the keyboard setting for the port must match the keyboard you are using.</p>	<p>Change the keyboard setting for the port to match the keyboard that you are using.</p> <p>To change the keyboard setting:</p> <ol style="list-style-type: none"> <li>1. Open the Port Management Webpage for the port in which you are having the problem. (See <i>Port Management</i>, page 67.)</li> <li>2. In the <b>Keyboard</b> field, select the keyboard you want to use.</li> <li>3. Click <b>Save</b>.</li> <li>4. Reboot the computer attached to the port. After rebooting, you should be able to use the special keys on your keyboard to control the computer.</li> </ol>

## Sun Systems

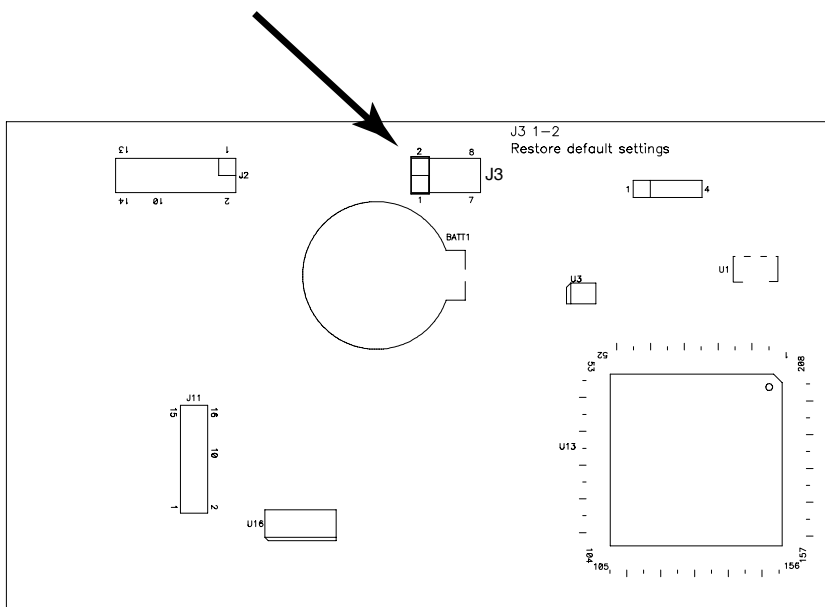
Problem	Solution
<p>Video display problems with HDB-15 interface systems (e.g. Sun Blade 1000 servers).</p>	<p>The display resolution should be set to 1024 x 768 @ 60Hz.</p> <p>Under Text Mode:</p> <ol style="list-style-type: none"> <li>1. Enter the <code>ok</code> prompt (see page 145) and issue the following firmware commands:</li> </ol> <pre>setenv output-device screen:r1024x768x60 reset-all</pre> <p>Under XWindow:</p> <ol style="list-style-type: none"> <li>1. Open a console and issue the following command:</li> </ol> <pre>m64config -res 1024x768x60</pre> <ol style="list-style-type: none"> <li>2. Log out.</li> <li>3. Log in.</li> </ol>
<p>Video display problems with 13W3 interface systems (e.g. Sun Ultra servers).*</p>	<p>The display resolution should be set to 1024 x 768 @ 60Hz.</p> <p>Under Text Mode:</p> <ol style="list-style-type: none"> <li>1. Enter the <code>ok</code> prompt (see page 145) and issue the following firmware commands:</li> </ol> <pre>setenv output-device screen:r1024x768x60 reset-all</pre> <p>Under XWindow:</p> <ol style="list-style-type: none"> <li>1. Open a console and issue the following command:</li> </ol> <pre>ffbconfig -res 1024x768x60</pre> <ol style="list-style-type: none"> <li>2. Log out.</li> <li>3. Log in.</li> </ol>

\* These solutions work for most common Sun VGA cards. If these procedures fail to resolve the problem, consult the manual for the Sun VGA card.

## Restoring Original Factory Default Settings

You can restore the original factory default settings for the KM0832 Matrix KVM Switch. The original password for the default super administrator account is restored; all super administrator, administrator, user, and group accounts are removed from the system. Only the station name, Webpage Session Timeout setting, network settings, and date and time are retained. This procedure requires the use of a jumper cap.

1. Turn off the KM0832 and unplug the power cord.
2. Remove the cover of the KM0832.
3. Place a jumper cap over pins 1-2 of the J3 jumper on the mainboard.



4. Plug in the power cord and turn on the KM0832. The following directions appear on the KVM console screen:

```

USERNAME AND PASSWORD INFORMATION AND PORT/USER
INFORMATION HAS BEEN CLEARED. PLEASE POWER OFF THE
SWITCH, REMOVE THE JUMPER, CLOSE THE CASE, THEN
RESTART.

```

*(Continues on next page.)*

*(Continued from previous page.)*

5. Turn off the KM0832 and unplug the power cord.
6. Remove the jumper cap from pins 1-2 of the J3 jumper.
7. Replace the cover on the KVM switch. Plug in the power cord and turn on the KM0832.
8. You should now use the default username and password to login to the KM0832 Administrator Utility and OSD.



---

## Limited Warranty

---

ALTUSEN warrants this product against defects in material or workmanship for a period of one (1) year from the date of purchase. If this product proves to be defective, contact ALTUSEN's support department for repair or replacement of your unit. ALTUSEN will not issue a refund. Return requests can not be processed without the original proof of purchase.

When returning the product, you must ship the product in its original packaging or packaging that gives an equal degree of protection. Include your proof of purchase in the packaging and the RMA number clearly marked on the outside of the package.

This warranty becomes invalid if the factory-supplied serial number has been removed or altered on the product.

This warranty does not cover cosmetic damage or damage due to acts of God, accident, misuse, abuse, negligence or modification of any part of the product. This warranty does not cover damage due to improper operation or maintenance, connection to improper equipment, or attempted repair by anyone other than ALTUSEN. This warranty does not cover products sold AS IS or WITH FAULTS.

IN NO EVENT SHALL ALTUSEN'S LIABILITY EXCEED THE PRICE PAID FOR THE PRODUCT. FURTHER, ALTUSEN SHALL NOT BE RESPONSIBLE FOR DIRECT, INDIRECT, SPECIAL, INCIDENTAL OR CONSEQUENTIAL DAMAGES RESULTING FROM THE USE OF THE PRODUCT, ITS ACCOMPANYING SOFTWARE, OR ITS DOCUMENTATION. ALTUSEN SHALL NOT IN ANY WAY BE RESPONSIBLE FOR, WITHOUT LIMITATION, LOSS OF DATA, LOSS OF PROFITS, DOWNTIME, GOODWILL, DAMAGE OR REPLACEMENT OF EQUIPMENT OR PROPERTY, AND ANY EXPENSES FROM RECOVERY, PROGRAMMING, AND REPRODUCTION OF ANY PROGRAM OR DATA.

ALTUSEN makes no warranty or representation, expressed, implied, or statutory with respect to its products, contents or use of this documentation and all accompanying software, and specifically disclaims its quality, performance, merchantability, or fitness for any particular purpose.

ALTUSEN reserves the right to revise or update its product, software or documentation without obligation to notify any individual or entity of such revisions, or update.

For details about extended warranties, please contact one of our dedicated value added resellers.

This Page Intentionally Left Blank

## A

- accounts, managing, 53, 58, 111
- activating the OSD, 109
- Active Sessions Webpage, 94
  - force logout, 94
  - viewing, 94
- administrator functions, 111
  - accounts, managing, 111
  - ports, managing, 114
  - SADM configuration, 118
  - stations, naming, 117
  - system information, 117
- Administrator Utility
  - active sessions, viewing, 94
  - backing up settings, 91
  - date and time, setting, 51
  - default username and password, 40
  - event log, 96
  - factory default settings, 136
  - firmware, upgrading, 82
  - force logout, 94
  - groups, managing, 53
  - Help, 99
  - icons, 43
  - IP address, setting, 38
  - log file, 96
  - logging in, 40
  - logging out, 99
  - managing groups, 53
  - managing port access rights, 56, 64
  - managing ports, 67
  - managing users, 58
  - menus, 42
  - naming stations, 46
  - network settings, 48

- OSD user settings, 79
- OSD view settings, 76
- overview, 37
- password, default, 40
- passwords, setting, 80
- port access, 68
- port access rights, managing, 56, 64
- port settings, 73
- port status, 45
- ports, managing, 67
- restoring previous settings, 91
- restoring user defaults, 80
- search, 81
- stations, naming, 46
- system information, 98
- system log, 97
- time, setting, 51
- upgrading firmware, 82
- user defaults, restoring, 80
- user settings, OSD, 79
- username, default, 40
- users, managing, 58
- view, OSD, 76
- Webpage Session Timeout, 47

Auto Scan mode, 121, 125

- configuring, 78, 108
- invoking, 126
- pausing, 126
- setting scan interval, 108, 125
- stopping, 127

## B

- Backup and Restore Settings Webpage, 92
- basic operation, 35
- beeper, 80, 110

Hotkey, 127

Broadcast mode, 119

## C

cables, 5

cascading, 24

Matrix Plus KVM adapter  
cables, 27

chaining, daisy, 30

CONFIGURATION port, 9, 33

console modules, 4, 10, 11

installation diagrams, 137

CPU modules. See KVM adapter  
cables

## D

daisy chaining, 30

Date & Time Webpage, 51

date, setting, 51, 118

default settings, factory, 136

default username and  
password, 40, 102

desktop mounting, 13

## E

e-mail notification, 50

emulation, keyboard

Mac, 129

Sun, 130

Event Log Webpage, 96

## F

F1 HELP, 107

F2 VIEW, 107

F3 SET, 109

F4 ADM, 111

F5 SCH, 120

F7 SCAN, 121

F8 LOUT, 122

factory default settings, 136

restoring, 149

FCC information, ii

firmware upgrade, 82

recovery, 89

recovery switch, 9

Firmware Upgrade Webpage, 83

force logout, 94

## G

Group Information Webpage, 53

Group Management Webpage, 54

groups, managing, 53, 111

## H

Help, 99

hot plugging, 35

Hotkey

beeper control, 127

Command mode, 80, 109

port control, 123

port selection, 124

summary table, 128

Hotkey mode, invoking, 123

## I

Idle Timeout function, 80, 110

installation

cascading, 24

console modules, 137

daisy chaining, 30

KVM adapter cables, 138

Matrix Plus KVM adapter  
cables, 27

multilevel, 22

network, 33

overview, 11

single level, 20

invoking Hotkey mode, 123

IP address, assigning, 38, 49, 118

IP address, default, 136

IP Installer, 49

## K

keyboard emulation

Mac, 129

Sun, 130

keyboard language layout, 116

keyboard layout, 74

keyboards, 74

KM0832

assigning names, 46

desktop mounting, 13

front view, 7

rack mounting, 13

rear view, 9

stacking, 13

KM0832 Administrator Utility. *See* Administrator Utility

KVM adapter cables, 5, 10, 11

displaying, 103

installation diagrams, 138

Matrix Plus, 27

## L

log file, 96

logging in

Administrator Utility, 40

OSD, 101

logging out

Administrator Utility, 99

force, 94

OSD, 122

Login Webpage, 40

Logout Timeout function, 80, 109

## M

Main Webpage, 41

managing

groups, 53, 111

port access rights, 56, 64

ports, 67, 114

users, 58, 112

Matrix Plus KVM adapter cables, 27

mounting

desktop, 13

rack, 14

MP0101. *See* Matrix Plus KVM adapter cables

## N

naming stations, 46, 117

network installation, 33

Network Settings Webpage, 48

notification, e-mail, 50

NTP server, synchronizing, 51

## O

Online

Registration, iii

operation, basic, 35

OSD

accounts, managing, 111

activating, 109

administrator functions, 111

Auto Scan mode, 121

beeper, 80, 110

broadcasting commands, 119

date and time, setting, 118

default username and password, 102

factory default settings, 136

functions, 106

Hotkey, 80, 101, 109

Idle Timeout function, 80, 110

logging out, 122

Logout Timeout function, 80, 109

main screen, 102

- main screen headings, 103
- managing ports, 114
- naming stations, 117
- navigating, 103
- overview, 101
- password, default, 102
- passwords, setting, 109
- port defaults, restoring, 117
- port ID, 108
- port shortcuts, 107
- ports, managing, 114
- restoring port defaults, 117
- restoring user defaults, 110
- Screen Blanker function, 80, 109
- Search function, 120
- shortcuts, port, 107
- stations, naming, 117
- system information, 117
- time, setting, 118
- user defaults, restoring, 110
- user settings, 79, 109
- username, default, 102
- View mode, 107
- view settings, 76

## **P**

- password, default, 40, 102
- passwords, setting, 80, 109
- pausing Auto Scan mode, 121
- personal view, setting, 77, 107
- port access rights, managing, 56, 64
- port ID, 45, 108
  - numbering, 104
- Port Management Webpage, 69
- port note, 45, 103
  - setting, 74, 116
- Port Select Webpage, 67, 75
- ports

- access, 68, 114
- keyboard language layout, 74, 116
- keyboards, 74
- LEDs, 7
- managing, 67, 114
- operating systems, 116
- selection, 36
- settings, 73, 116
- shortcuts, 107
- status, 45
- powering off, 36

## **R**

- rack mounting, 13
  - front, 16
  - rear, 18
  - split, 14
- reset, system, 8
- restarting, 36
- restoring
  - factory default settings, 149
  - previous settings, 91
  - stations and ports, 67, 117
  - user defaults, 80, 110
- RoHS, ii

## **S**

- Safety Instructions
  - General, 131
  - Rack Mounting, 133
- scanning. *See* Auto Scan mode
- Screen Blanker function, 80, 109
- Search function, 120
- Search Webpage, 81
- SET, 109
- setting
  - Auto Scan mode interval, 125
  - date and time, 51, 118

- OSD view, 76, 107
  - passwords, 80, 109
  - personal view, 77, 107
  - Settings Webpage, 79
  - shortcuts, port, 107
  - Simple Mail Transfer Protocol
    - configuration, 50
  - SJ/T 11364-2006, ii
  - Skip mode, 78, 108, 121, 126
  - SMTP. *See* Simple Mail Transfer Protocol
  - specifications, technical, 135
  - stacking, 13
  - Station Management Webpage, 46
  - station positions, switching, 35
  - stations, naming, 46, 117
  - switching station positions, 35
  - switching to ports, 124
  - system event report, 50
  - System Information Webpage, 98
  - System Log Webpage, 97
  - system requirements
    - cables, 5
    - computers, 5
    - consoles, 4
    - operating systems, 6
  - system reset, 8
- T**
- technical specifications, 135
  - Technical Support, 134
  - Telephone support, iii
  - time server. *See* NTP server
  - time, setting, 51, 118
  - troubleshooting, 146
  - Trusted Certificates, 142
- U**
- upgrading firmware, 82
  - user defaults, restoring, 80, 110
  - User Information Webpage, 59
  - User Management Webpage, 62
  - User Notice, iii
  - user settings, OSD, 79, 109
  - username and password, default, 40, 102
  - users, managing, 58, 112
- V**
- View Webpage, 76
  - view, OSD, 76, 107
  - viewing active sessions, 94
- W**
- Webpage Session Timeout, 47
  - Webpages
    - Active Sessions, 94
    - Backup and Restore Settings, 92
    - Date & Time, 51
    - Event Log, 96
    - Firmware Upgrade, 83
    - Group Information, 53
    - Group Management, 54
    - Login, 40
    - Main, 41
    - Network Settings, 48
    - Port Management, 69
    - Port Select, 67, 75
    - Port Status, 45
    - Search, 81
    - Settings, 79
    - Station Management, 46
    - System Information, 98
    - System Log, 97
    - User Information, 59
    - User Management, 62
    - View, 76